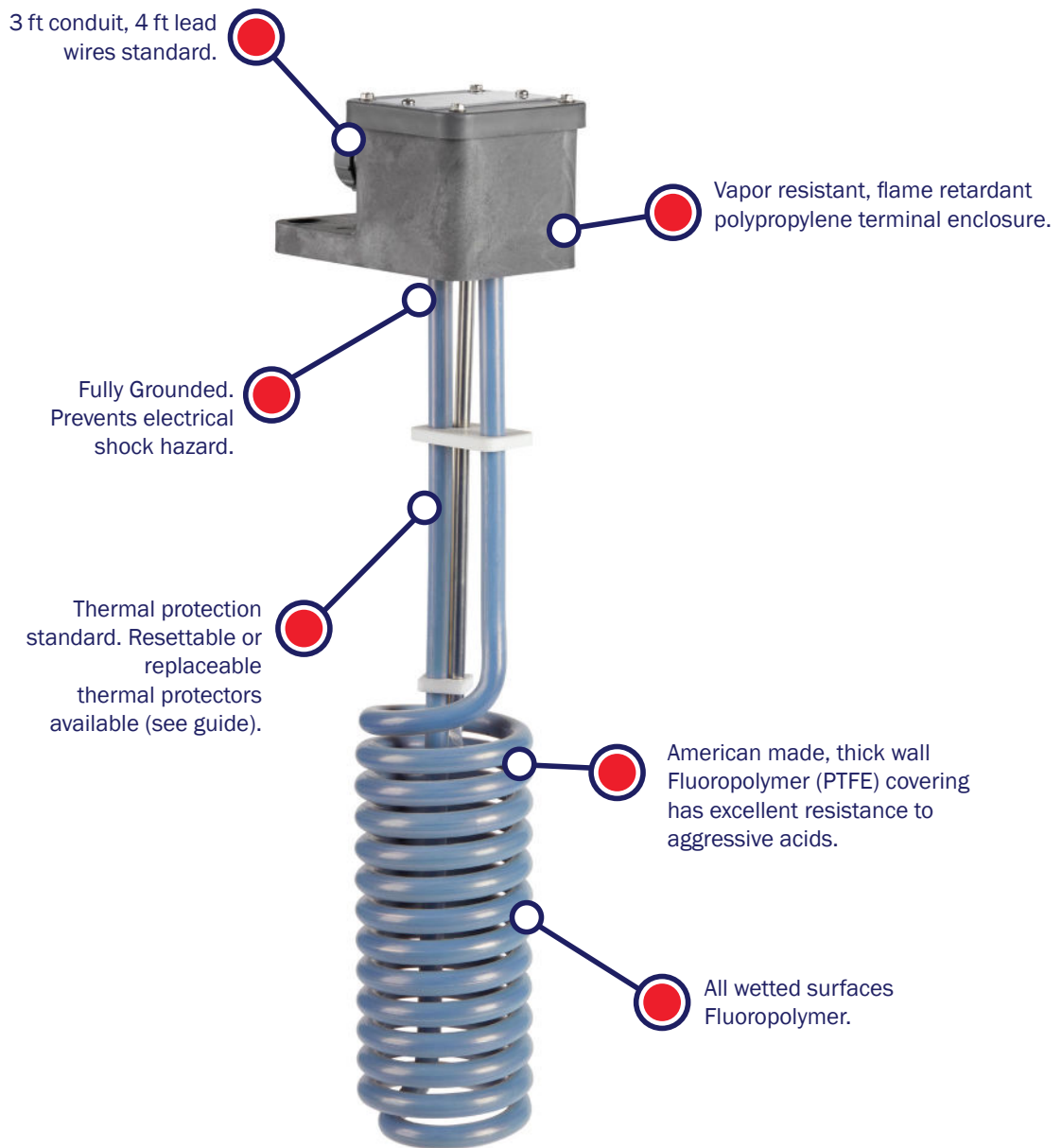


TFC SERIES: PTFE COILED HEATERS

MODEL TFC

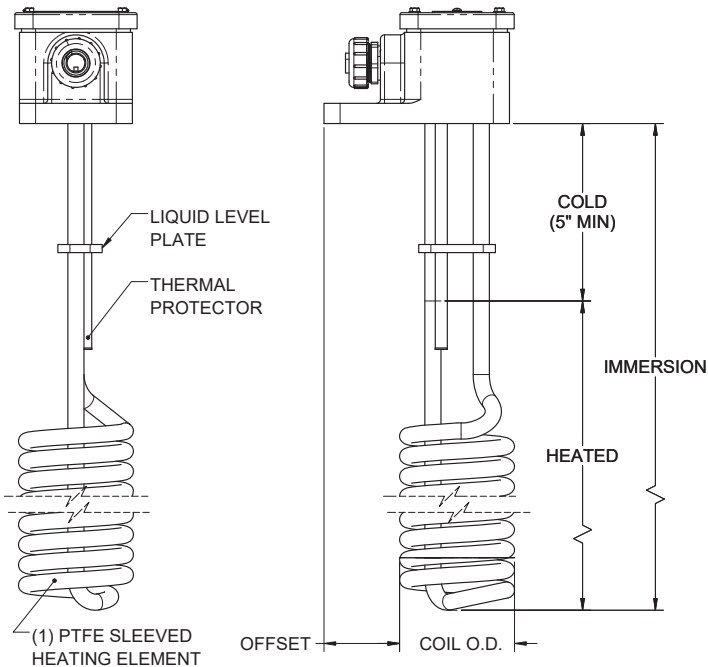
QUICK SPECIFICATIONS		CUSTOMIZABLE FEATURES
WATTAGES:	500 - 4,000 Watts	The following are configurable based on application requirements: <ul style="list-style-type: none"> • Wattage and Voltage Combinations • Immersion Length • Cold Length • Conduit and Lead Wire Length
VOLTAGES:	120 - 600 Volts	
PHASE:	Single Phase Only	
TEMP RANGE:	Suitable in Solutions up to 212 °F	
WATT DENSITY:	10 Watts / in² Standard	
CERTIFICATION:	cULus Listed	



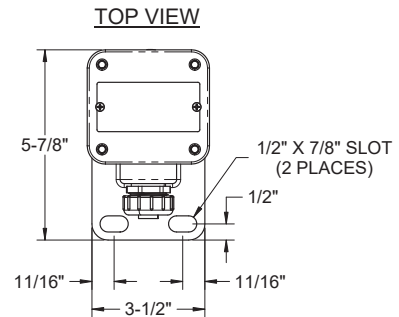
TFC PTFE HEATERS						
PART NUMBER	SPECIFICATIONS					
	Volts	Watts	Immersion Length	Heated Length	Cold Length	Max Cold Length
TFC-1-05A11-7B-T*	120	500	11"	3.5"	7.5"	40"
TFC-1-05E11-7B-T*	240					
TFC-1-1A11-6-T*	120	1,000	11"	5"	6"	40"
TFC-1-1E11-6-T*	240					
TFC-1-1.5A16-8B-T*	120	1,500	16"	7.5"	8.5"	40"
TFC-1-1.5A16-8B-T*	240					
TFC-1-2E17-8-T*	240	2,000	17"	9"	8"	40"
TFC-1-2M17-8-T*	480					
TFC-1-2.5E17-6-T*	240	2,500	17"	11"	6"	40"
TFC-1-2.5M17-6-T*	480					
TFC-1-3E23-10-T*	240	3,000	23"	13"	10"	33"
TFC-1-3M23-10-T*	480					
TFC-1-3.5E23-8-T*	240	3,500	23"	15"	8"	18"
TFC-1-3.5M23-8-T*	480					
TFC-1-4E23-7-T*	240	4,000	23"	16"	7"	12"
TFC-1-4M23-7-T*	480					

*Thermal protector options and part numbers can be found in the below table.

REFERENCE DIMENSIONS



Thermal Protector Guide		
TYPE	MODEL NUMBER	TEMP RANGE
Replaceable Thermal Protectors	T1	Up to 180° F
	T4	Up to 230° F
Resettable Thermal Protectors	T2	Up to 180° F
	T6	Up to 230° F



ORDERING AND CONTACT INFO

FOR ORDERS, PLEASE CONTACT YOUR LOCAL METAL FINISHING EQUIPMENT SUPPLIER.
FOR MORE INFO ON OUR PRODUCTS SEE OUR WEBSITE AT WWW.HEATMAXHEATERS.COM