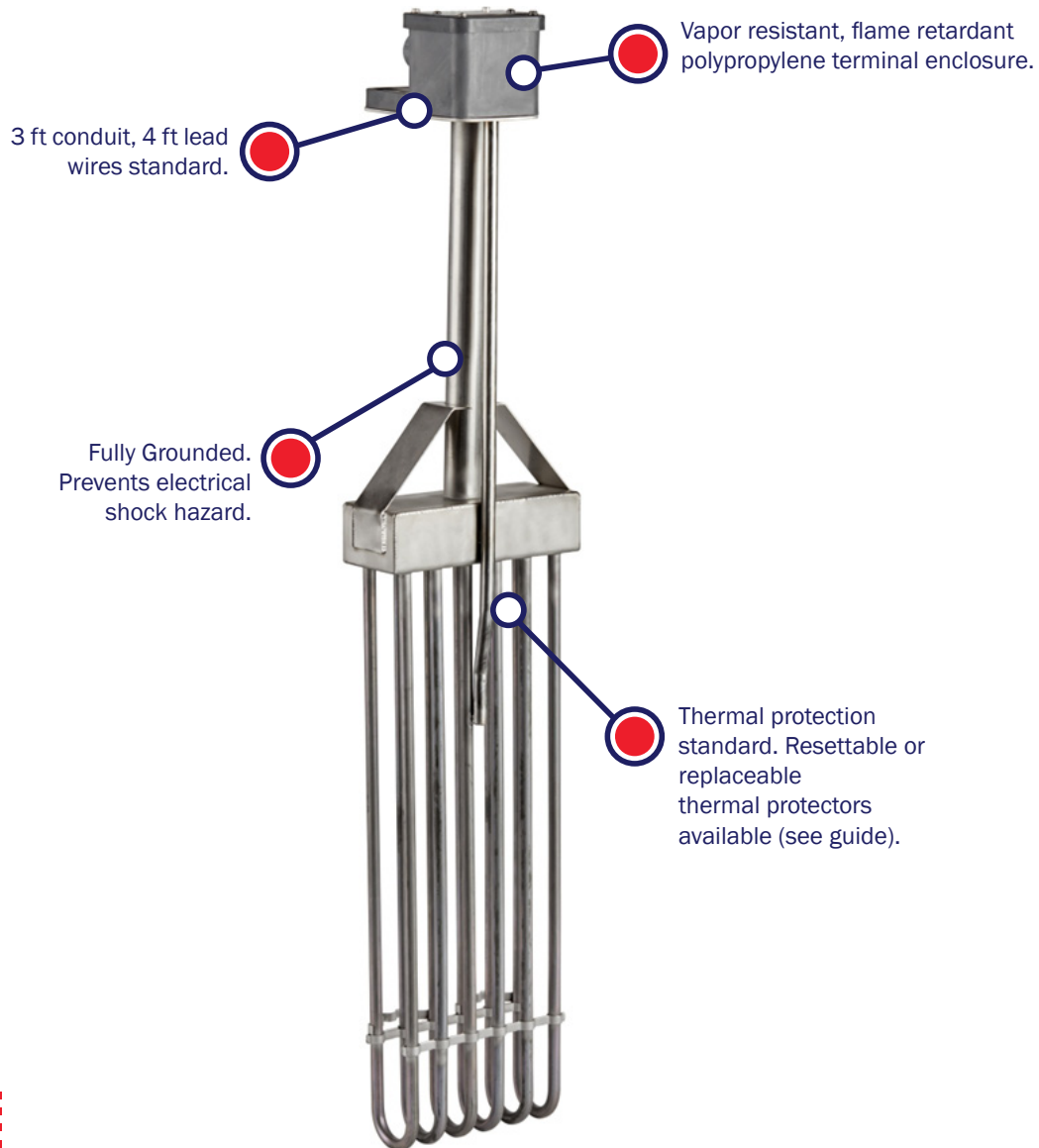


DT SERIES: DEEP TANK HEATERS

MODEL DT6

QUICK SPECIFICATIONS		CUSTOMIZABLE FEATURES
WATTAGES:	18,000 - 36,000 Watts	The following are configurable based on application requirements: <ul style="list-style-type: none">• Wattage and Voltage Combinations• Immersion Length and Cold Length• Up to 20 ft. Riser Available - Consult Factory• Conduit and Lead Wire Length• 3, 6, 9, 12 element configurations
VOLTAGES:	120 - 600 Volts	
PHASE:	Single or Three Phase	
TEMP RANGE:	Suitable in Solutions up to 212 °F	
WATT DENSITY:	35 Watts / in² Standard	
CERTIFICATION:	cULus Listed	

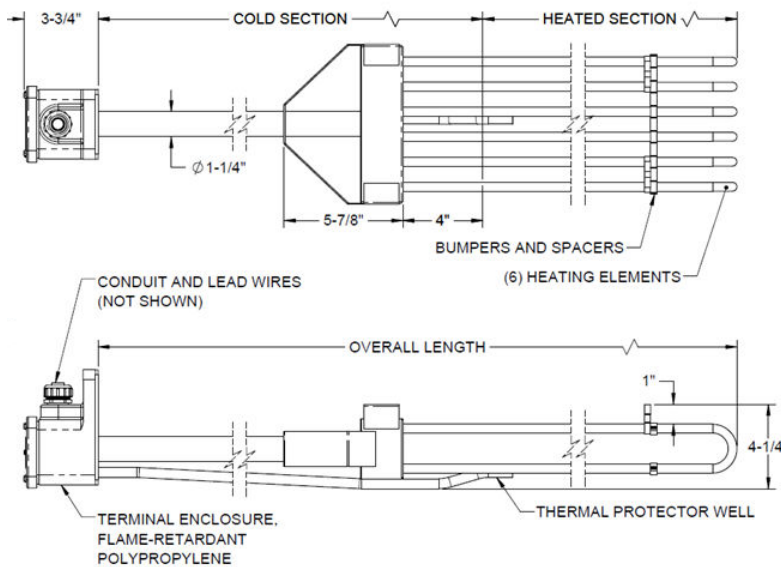


DT SERIES TANK HEATER							
SPECIFICATIONS					304 Stainless Steel	316 Stainless Steel	Titanium
Volts	Watts	Heated Length	Cold Length	Total Immersion Length	Part Number	Part Number	Part Number
240	18,000	30	16" Min 20 ft. Max	46"	SW6-6F-18E46-16-T*-DT	SW6-6S-18E46-16-T*-DT	SW6-6T-18E46-16-T*-DT
480					SW6-6F-18M46-16-T*-DT	SW6-6S-18M46-16-T*-DT	SW6-6T-18M46-16-T*-DT
480	24,000	37"		53"	SW6-6F-24M53-16-T*-DT	SW6-6S-24M53-16-T*-DT	SW6-6T-24M53-16-T*-DT
480	27,000	44"		60"	SW6-6F-27M60-16-T*-DT	SW6-6S-27M60-16-T*-DT	SW6-6T-27M60-16-T*-DT
480	30,000	49"		65"	SW6-6F-30M65-16-T*-DT	SW6-6S-30M65-16-T*-DT	SW6-6T-30M65-16-T*-DT
480	36,000	58"		74"	SW6-6F-36M74-16-T*-DT	SW6-6S-36M74-16-T*-DT	SW6-6T-36M74-16-T*-DT

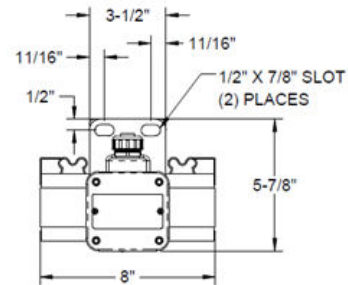
* Coded for minimum cold length, consult factory for customizable, longer cold lengths for deep tank applications

* Thermal protector options and part numbers can be found in the table below.

REFERENCE DIMENSIONS



Thermal Protector Guide		
TYPE	MODEL NUMBER	TEMP RANGE
Replaceable Thermal Protectors	T1	Up to 180°F
	T4	Up to 230°F
Resettable Thermal Protectors	T2	Up to 180°F
	T6	Up to 230°F



ORDERING AND CONTACT INFO

FOR ORDERS, PLEASE CONTACT YOUR LOCAL METAL FINISHING EQUIPMENT SUPPLIER.
FOR MORE INFO ON OUR PRODUCTS SEE OUR WEBSITE AT WWW.HEATMAXHEATERS.COM