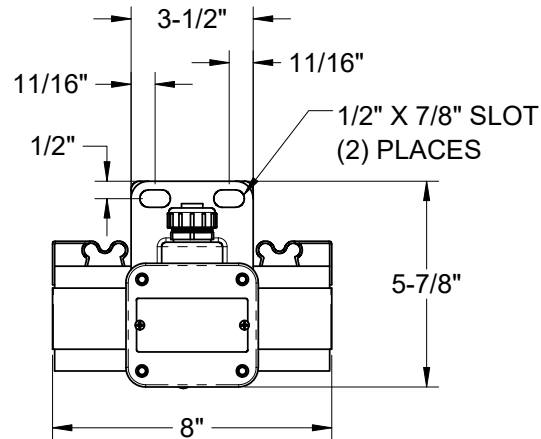
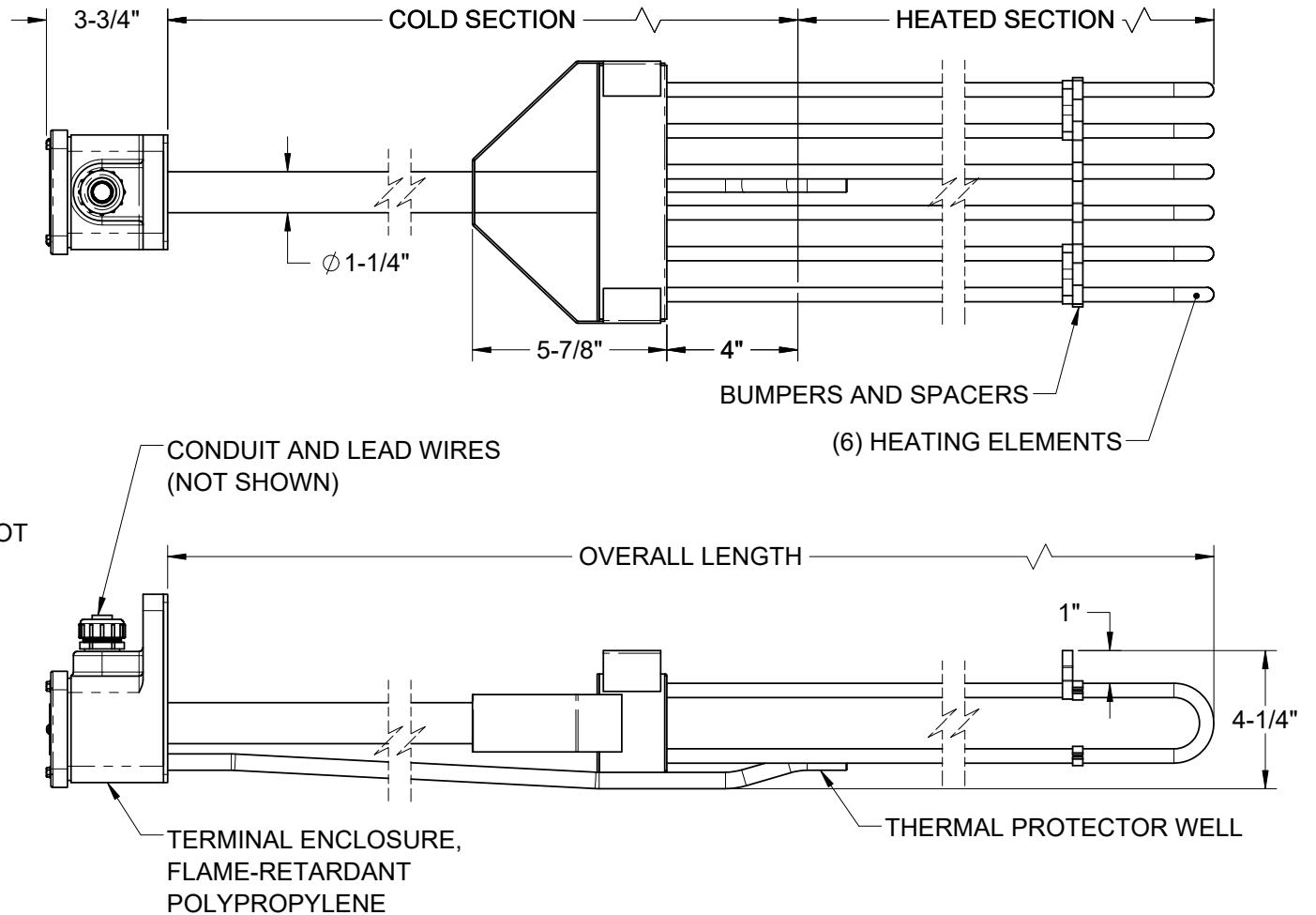


**NOTES:**

1. STANDARD CONDUIT LENGTH IS 36"
2. STANDARD WIRE LENGTH IS 48"
3. POWER WIRES (INSULATION TYPE AND GAUGE DETERMINED BY AMPERAGE)
  - 1-PHASE: (2) BLACK WIRES
  - 3-PHASE: (3) BLACK WIRES
4. GROUND WIRE: (1) GREEN/YELLOW
5. THERMAL PROTECTOR: (2) 18 AWG WIRES.
6. REFER TO MANUAL FOR MORE DETAILS.



| REV | BY | DATE | DESCRIPTION |
|-----|----|------|-------------|
|     |    |      |             |
|     |    |      |             |
|     |    |      |             |
|     |    |      |             |

UNLESS OTHERWISE SPECIFIED DIMENSIONS ARE IN INCHES

[mm]  
IN

| ANGLES        | .XX       | .XXX       | X/X       |
|---------------|-----------|------------|-----------|
| $\pm 2^\circ$ | $\pm .01$ | $\pm .005$ | $\pm 1/8$ |

**MATERIAL**  
SEE NOTES

**PART NUMBER**  
SW6- - - - -DT

| DRAWN BY   | DATE     |
|------------|----------|
| DLS        | 9/8/2025 |
| CHECKED BY | DATE     |
|            |          |

**HEATMAX** HEATERS 7084 MAPLE ST. MENTOR, OH 44060

**TITLE:**  
SALES, DEEP TANK SW6

| DRAWING NUMBER | REVISION | SHEET NO. |
|----------------|----------|-----------|
| 18-0432        | A        | 1 OF 1    |

THE INFORMATION CONTAINED IN THIS DRAWING IS THE SOLE PROPERTY OF GLO-QUARTZ®. ANY REPRODUCTION IN PART OR AS A WHOLE WITHOUT THE WRITTEN PERMISSION OF GLO-QUARTZ® IS PROHIBITED.

INTERPRET GEOMETRIC DIMENSIONS PER ASME Y14.5-2009