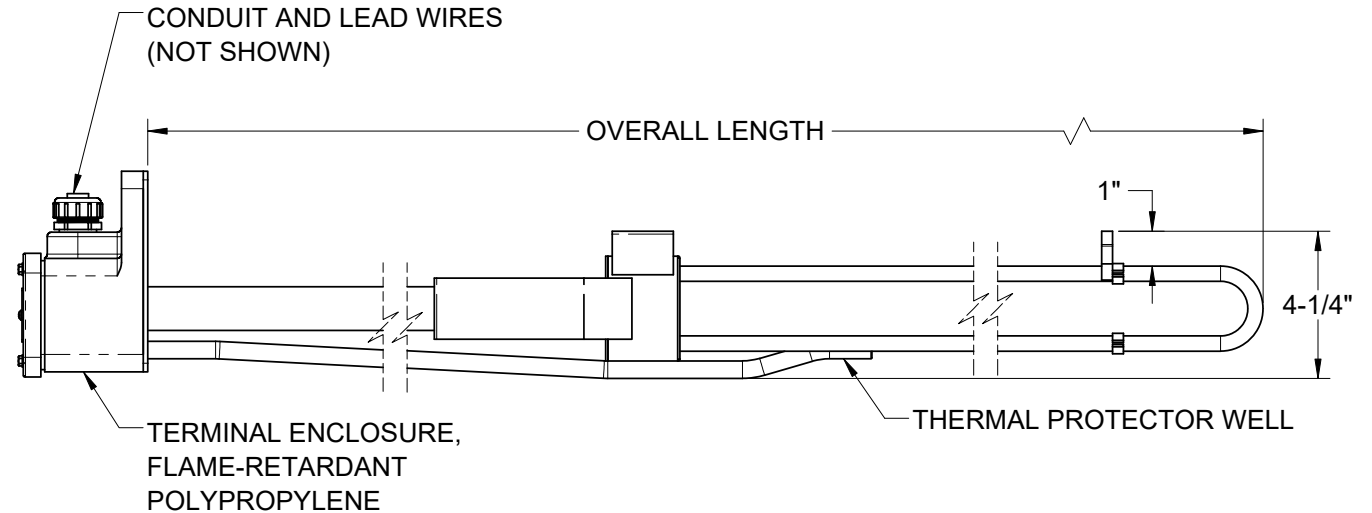
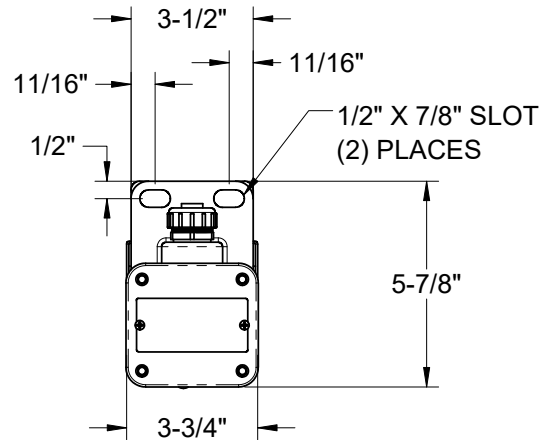
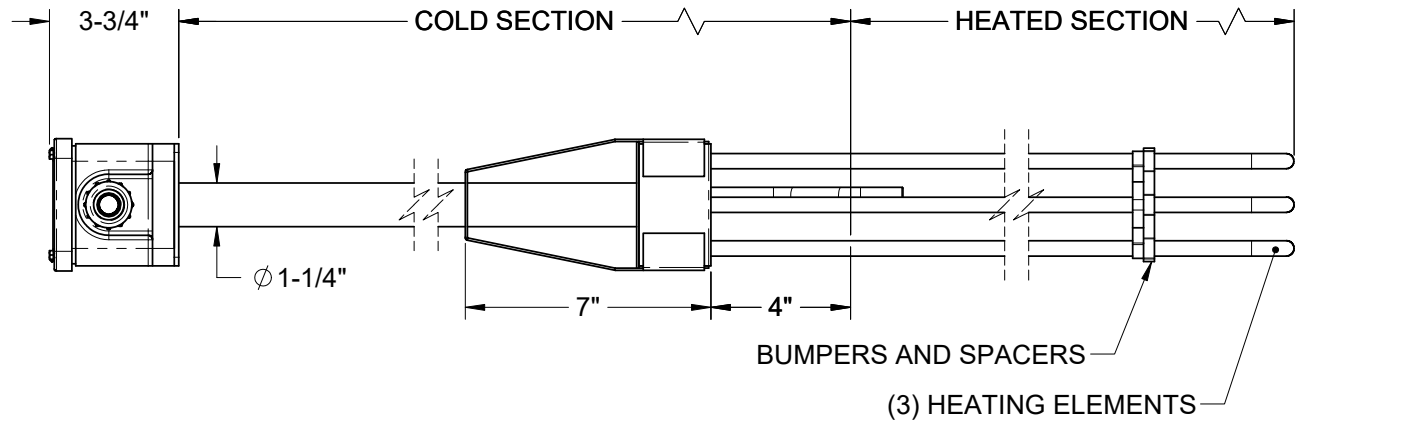


NOTES:

1. STANDARD CONDUIT LENGTH IS 36"
2. STANDARD WIRE LENGTH IS 48"
3. POWER WIRES (INSULATION TYPE AND GAUGE DETERMINED BY AMPERAGE)
 - 1-PHASE: (2) BLACK WIRES
 - 3-PHASE: (3) BLACK WIRES
4. GROUND WIRE: (1) GREEN/YELLOW
5. THERMAL PROTECTOR: (2) 18 AWG WIRES.
6. REFER TO MANUAL FOR MORE DETAILS.



REV	BY	DATE	DESCRIPTION

UNLESS OTHERWISE SPECIFIED
DIMENSIONS ARE IN INCHES

[mm]
IN

ANGLES	.XX	.XXX	X/X
$\pm 2^\circ$	$\pm .01$	$\pm .005$	$\pm 1/8$

MATERIAL
SEE NOTES

PART NUMBER
SW3- - - - -DT

DRAWN BY	DATE
DLS	9/8/2025

CHECKED BY	DATE

HEATMAX HEATERS 7084 MAPLE ST.
MENTOR, OH 44060

TITLE:
SALES, DEEP TANK SW3

THE INFORMATION CONTAINED IN THIS DRAWING IS THE SOLE PROPERTY OF GLO-QUARTZ®. ANY REPRODUCTION IN PART OR AS A WHOLE WITHOUT THE WRITTEN PERMISSION OF GLO-QUARTZ® IS PROHIBITED.

INTERPRET GEOMETRIC DIMENSIONS PER ASME Y14.5-2009

DRAWING NUMBER	REVISION	SHEET NO.
18-0431	A	1 OF 1