


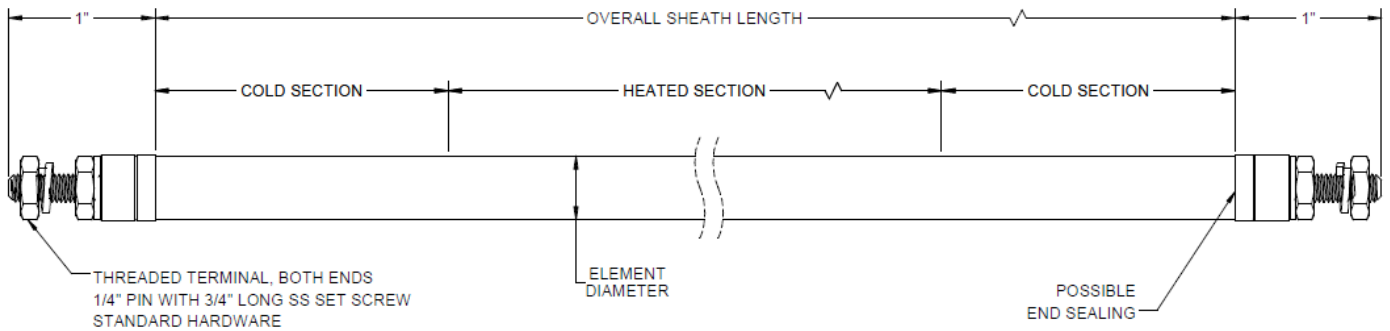


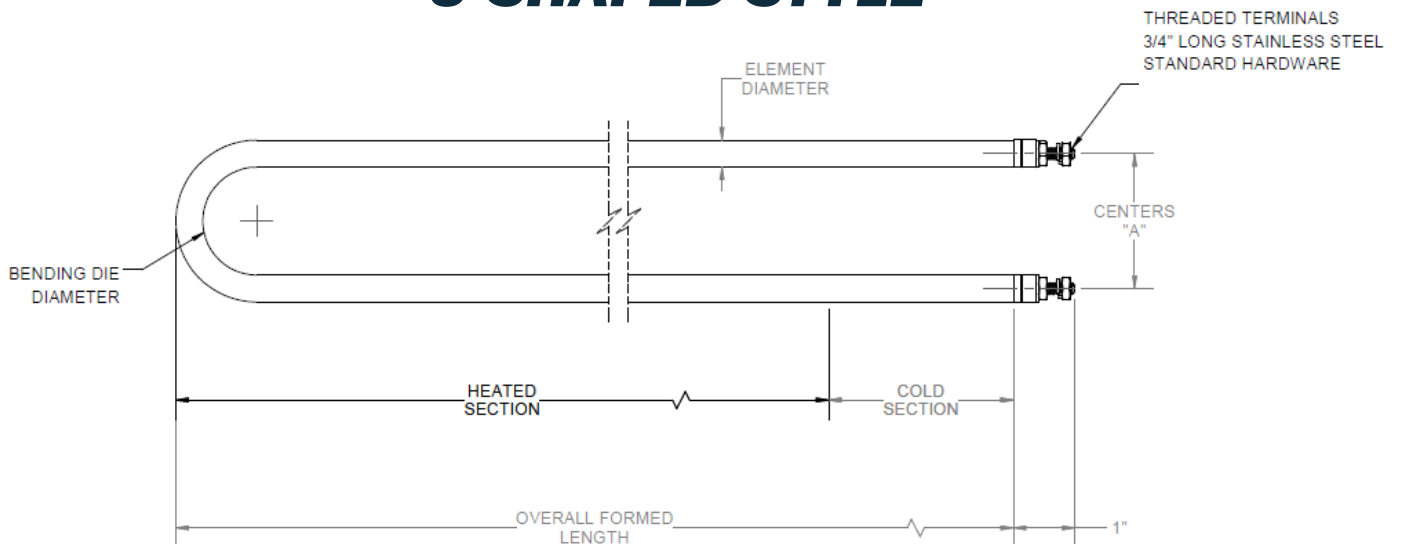
TUBULAR HEATING ELEMENTS

QUICK SPECIFICATIONS		CUSTOMIZABLE FEATURES
WATTAGES:	500 - 18,000 W	The following are configurable based on application requirements:
VOLTAGES:	120 - 600 V	The following are configurable based on application requirements: <ul style="list-style-type: none"> • Wattage & Watt Density • Voltage • Element Formations and Lengths • Element Bulkheads, Fittings, and Hardware
PHASE:	1 & 3 Phase	
ELEMENT DIAMETERS:	.315" OR .440" / .430" Element diameters available.	
ELEMENT SHEATH MATERIALS:	304 & 316 SS Incoloy 800 and 840, Copper, Titanium, Monel, Inconel, and Hastelloy.	
ELEMENT STYLE:	Straight, U-Shaped, or Custom Formations (see references below)	  
UL / CSA recognized configurations available. Contact us to confirm coverage for your specifications.		

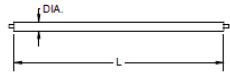
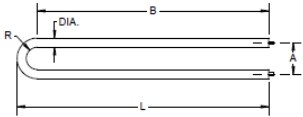
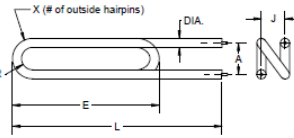
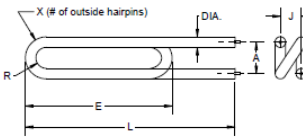
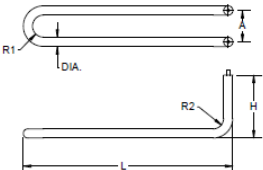
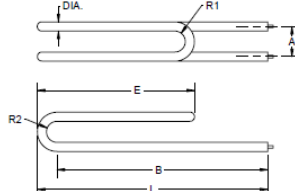
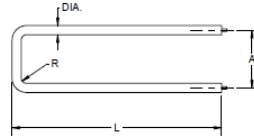
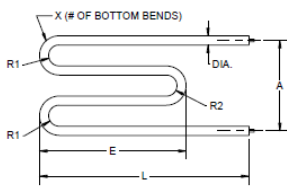
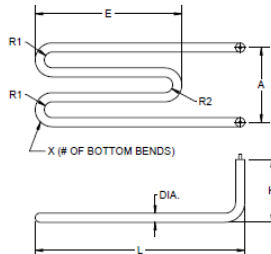
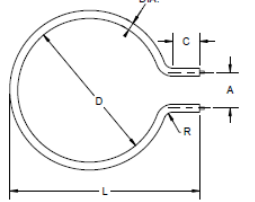
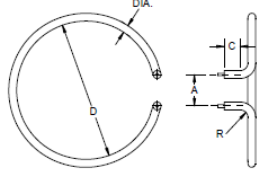
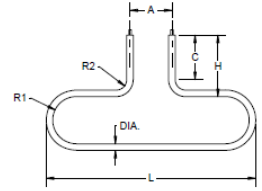
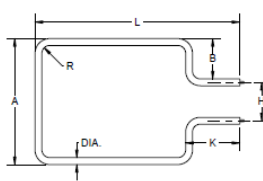
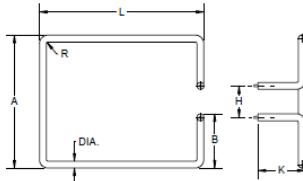
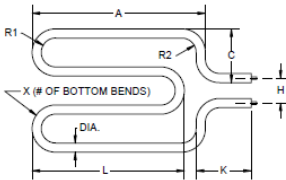
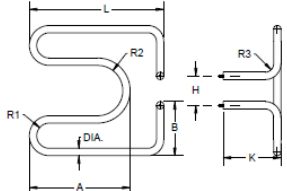
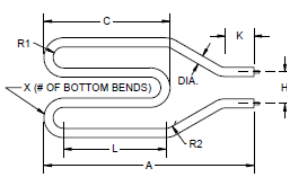
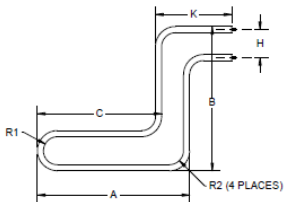
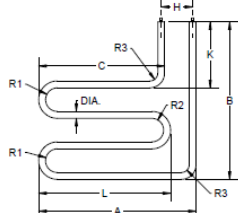
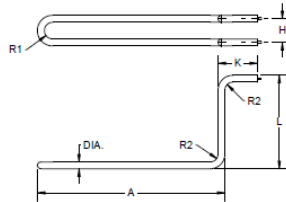
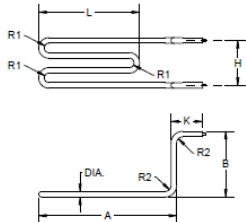
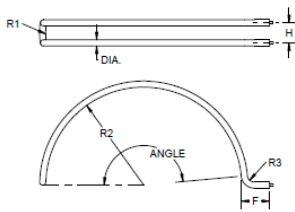
STRAIGHT STYLE



U-SHAPED STYLE



CUSTOM ELEMENT FORMATIONS

EL 	EU 	FIGURE A RIGHT-HAND FORMATION 	FIGURE B LEFT-HAND FORMATION 
FIGURE C 	FIGURE D 	FIGURE E 	FIGURE F 
FIGURE G 	FIGURE H 	FIGURE J 	FIGURE K 
FIGURE L 	FIGURE M 	FIGURE N 	FIGURE P 
FIGURE Q 	FIGURE R 	FIGURE S 	FIGURE T 
FIGURE U 	FIGURE V 		

ORDERING AND CONTACT INFO

FOR ORDERS, PLEASE CONTACT YOUR LOCAL EQUIPMENT SUPPLIER, OR US AT: sales@heatmaxheaters.com.
FOR MORE INFO ON OUR PRODUCTS, SEE OUR WEBSITE AT WWW.HEATMAXHEATERS.COM