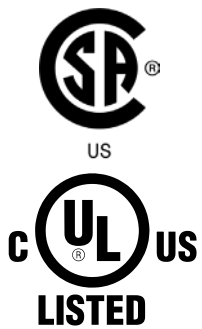
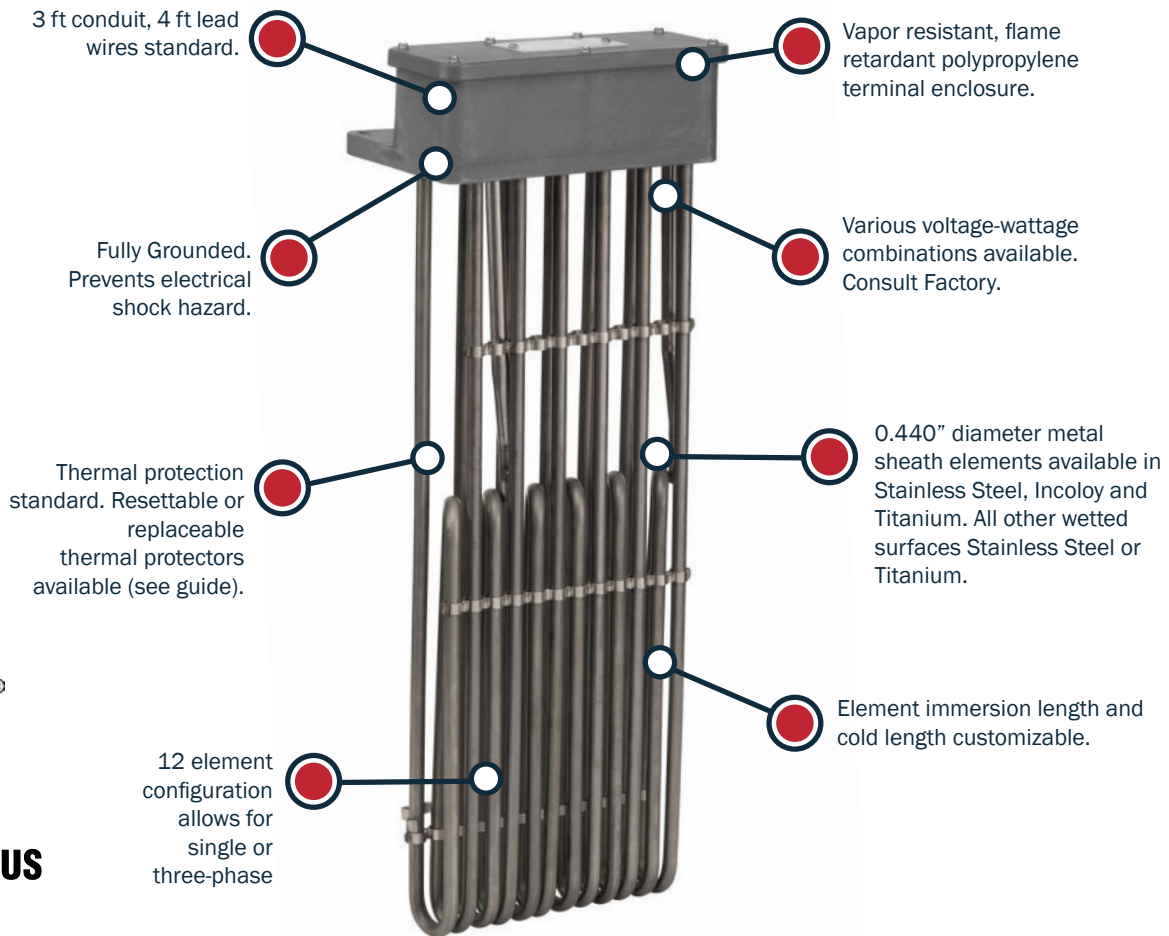


# SW SERIES: OVER-THE-SIDE HEATERS

## MODEL SW12

QUICK SPECIFICATIONS		CUSTOMIZABLE FEATURES
<b>WATTAGES:</b>	5,000 - 36,000 Watts	The following are configurable based on application requirements: <ul style="list-style-type: none"> <li>• Wattage, Voltage, Phase</li> <li>• Immersion Length</li> <li>• Cold Length</li> <li>• Conduit Length</li> <li>• Element Sheath Material</li> </ul>
<b>VOLTAGES:</b>	120 - 600 Volts	
<b>PHASE:</b>	1 & 3 Phase	
<b>TEMP RANGE:</b>		
UL/CSA Listed Version: Suitable in Solutions up to <b>230 °F</b>		
Metal Head Version: Suitable in Solutions up to <b>300 °F</b>		
<b>WATT DENSITY:</b>	<b>35 Watts / in<sup>2</sup> Standard</b>	
For custom configurations or additional options, please consult factory.		

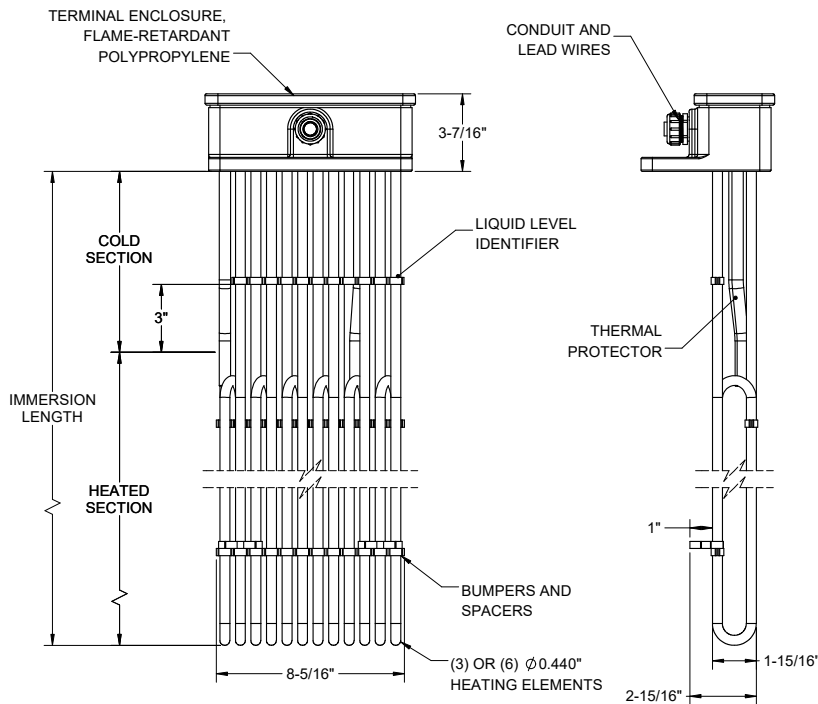


FOR VERTICAL INSTALLATION ONLY

SW12 METAL OVER THE SIDE HEATERS							
SPECIFICATIONS					304 SS	316 SS	TITANIUM
Volts (3-PH)	Watts	Immersion Length	Heated Length	Cold Length	Part Number	Part Number	Part Number
240-3	6,000	13"	6"	7"	SW12-3F-6E13-7-T*	SW12-3S-6E13-7-T*	SW12-3T-6E13-7-T*
480-3					SW12-3F-6M13-7-T*	SW12-3S-6M13-7-T*	SW12-3T-6M13-7-T*
240-3	9,000	16"	8"	8"	SW12-3F-9E16-8-T*	SW12-3S-9E16-8-T*	SW12-3T-9E16-8-T*
480-3					SW12-3F-9M16-8-T*	SW12-3S-9M16-8-T*	SW12-3T-9M16-8-T*
240-3	12,000	19"	11"	8"	SW12-3F-12E19-8-T*	SW12-3S-12E19-8-T*	SW12-3T-12E19-8-T*
480-3					SW12-3F-12M19-8-T*	SW12-3S-12M19-8-T*	SW12-3T-12M19-8-T*
240-3	15,000	23"	14"	9"	SW12-3F-15E23-9-T*	SW12-3S-15E23-9-T*	SW12-3T-15E23-9-T*
480-3					SW12-3F-15M23-9-T*	SW12-3S-15M23-9-T*	SW12-3T-15M23-9-T*
240-3	18,000	25"	16"	9"	SW12-3F-18E25-9-T*	SW12-3S-18E25-9-T*	SW12-3T-18E25-9-T*
480-3					SW12-3F-18M25-9-T*	SW12-3S-18M25-9-T*	SW12-3T-18M25-9-T*
480-3	21,000	27"	18"	9"	SW12-3F-21M27-9-T*	SW12-3S-21M27-9-T*	SW12-3T-21M27-9-T*
480-3	24,000	30"	21"	9"	SW12-6F-24M30-9-T*	SW12-6S-24M30-9-T*	SW12-6T-24M30-9-T*
480-3	27,000	32"	23"	9"	SW12-6F-27M32-9-T*	SW12-6S-27M32-9-T*	SW12-6T-27M32-9-T*
480-3	30,000	35"	26"	9"	SW12-6F-30M35-9-T*	SW12-6S-30M35-9-T*	SW12-6T-30M35-9-T*
480-3	36,000	42"	32"	10"	SW12-6F-36M42-10-T*	SW12-6S-36M42-10-T*	SW12-6T-36M42-10-T*

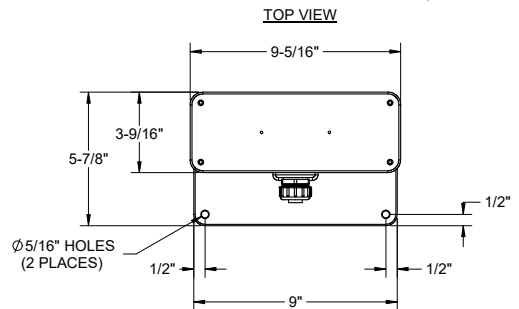
\*Thermal protector options and part numbers can be found in the tables below.

## REFERENCE DIMENSIONS



Thermal Protector Guide		
TYPE	MODEL NUMBER	TEMP RANGE
Replaceable Thermal Protectors	T1	Up to 180°F
	T4	Up to 230°F
	T5*	Up to 300°F
Resettable Thermal Protectors	T2	Up to 180°F
	T6	Up to 230°F
	T7*	Up to 300°F

\*Not UL/CSA Listed



## ORDERING AND CONTACT INFO

FOR ORDERS, PLEASE CONTACT YOUR LOCAL METAL FINISHING EQUIPMENT SUPPLIER.  
FOR MORE INFO ON OUR PRODUCTS SEE OUR WEBSITE AT [WWW.HEATMAXHEATERS.COM](http://WWW.HEATMAXHEATERS.COM)