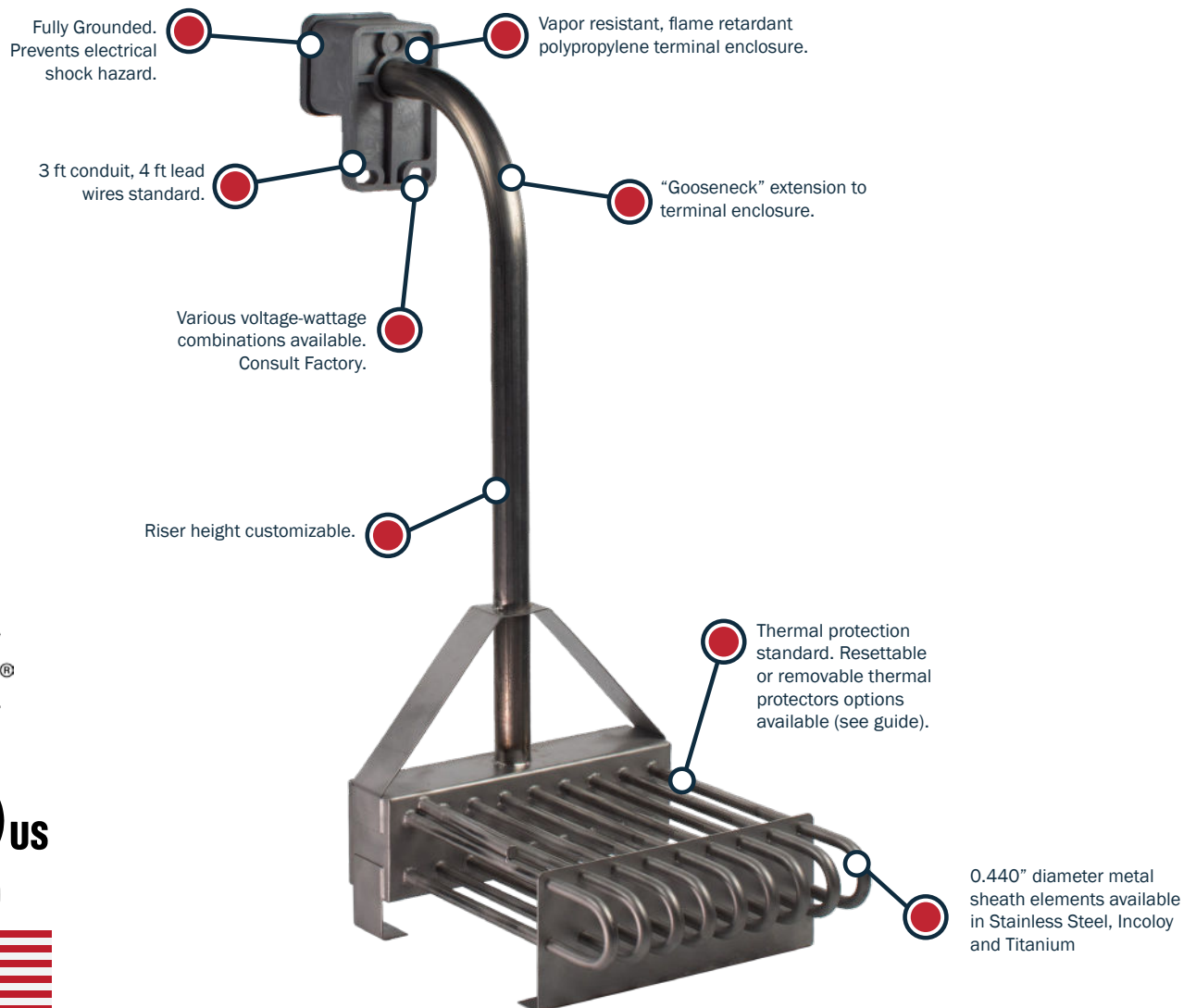


L SERIES: L-SHAPED HEATERS

MODEL L9

QUICK SPECIFICATIONS		CUSTOMIZABLE FEATURES
WATTAGES:	6,000 - 36,000 Watts	The following are configurable based on application requirements: <ul style="list-style-type: none"> • Wattage, Voltage, Phase • Immersion Length • Cold Length • Conduit Length • Element Sheath Material
VOLTAGES:	120 - 600 Volts	
PHASE:	1 & 3 Phase	
TEMP RANGE:		
UL / CSA Version : Suitable in Solutions up to 230 ° F		
Metal Head Version: Suitable in Solutions up to 300 ° F		
WATT DENSITY:	35 Watts / in² Standard	
For custom configurations or additional options, please consult factory.		



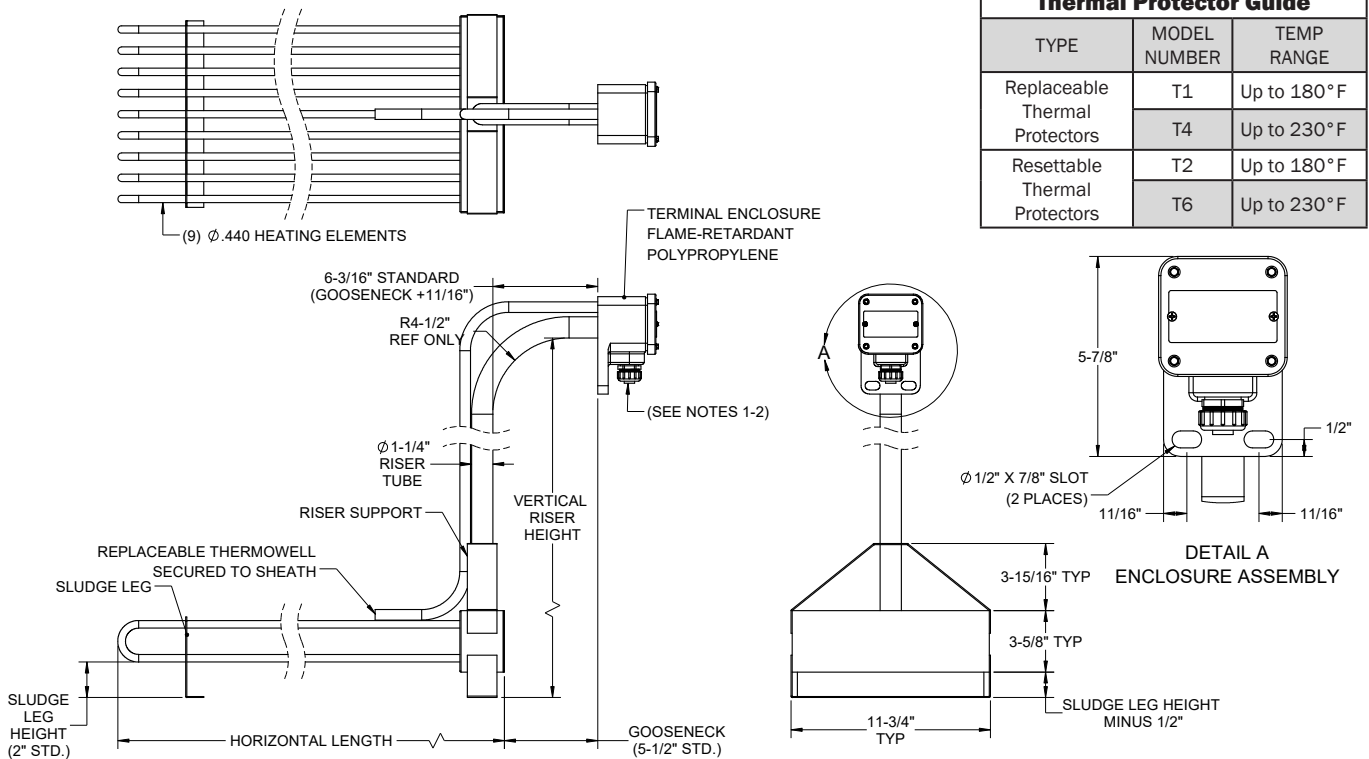
US



L9 METAL L-SHAPE HEATERS						
SPECIFICATIONS				304 SS	316 SS	TITANIUM
Volts (3-PH)	Watts	Bottom Length	Vertical Height*	Part Number	Part Number	Part Number
240	6,000	12"	50"	L9F6E12R50S2-T*	L9S6E12R50S2-T*	L9T6E12R50S2-T*
480				L9F6M12R50S2-T*	L9S6M12R50S2-T*	L9T6M12R50S2-T*
240	9,000	15"		L9F9E15R50S2-T*	L9S9E15R50S2-T*	L9T9E15R50S2-T*
480				L9F9M15R50S2-T*	L9S9M15R50S2-T*	L9T9M15R50S2-T*
240	12,000	18"		L9F12E18R50S2-T*	L9S12E18R50S2-T*	L9T12E18R50S2-T*
480				L9F12M18R50S2-T*	L9S12M18R50S2-T*	L9T12M18R50S2-T*
240	15,000	22"		L9F15E22R50S2-T*	L9S15E22R50S2-T*	L9T15E22R50S2-T*
480				L9F15M22R50S2-T*	L9S15M22R50S2-T*	L9T15M22R50S2-T*
240	18,000	25"		L9F18E25R50S2-T*	L9S18E25R50S2-T*	L9T18E25R50S2-T*
480				L9F18M25R50S2-T*	L9S18M25R50S2-T*	L9T18M25R50S2-T*
480	21,000	29"		L9F21M29R50S2-T*	L9S21M29R50S2-T*	L9T21M29R50S2-T*
480	24,000	32"		L9F24M32R50S2-T*	L9S24M32R50S2-T*	L9T24M32R50S2-T*
480	27,000	36"		L9F27M36R50S2-T*	L9S27M36R50S2-T*	L9T27M36R50S2-T*
480	30,000	39"		L9F30M39R50S2-T*	L9S30M39R50S2-T*	L9T30M39R50S2-T*
480	36,000	55"		L9F36M55R50S2-T*	L9S36M55R50S2-T*	L9T36M55R50S2-T*

*Thermal protector options and part numbers can be found in the table below.

REFERENCE DIMENSIONS



ORDERING AND CONTACT INFO

FOR ORDERS, PLEASE CONTACT YOUR LOCAL METAL FINISHING EQUIPMENT SUPPLIER.
FOR MORE INFO ON OUR PRODUCTS SEE OUR WEBSITE AT WWW.HEATMAXHEATERS.COM