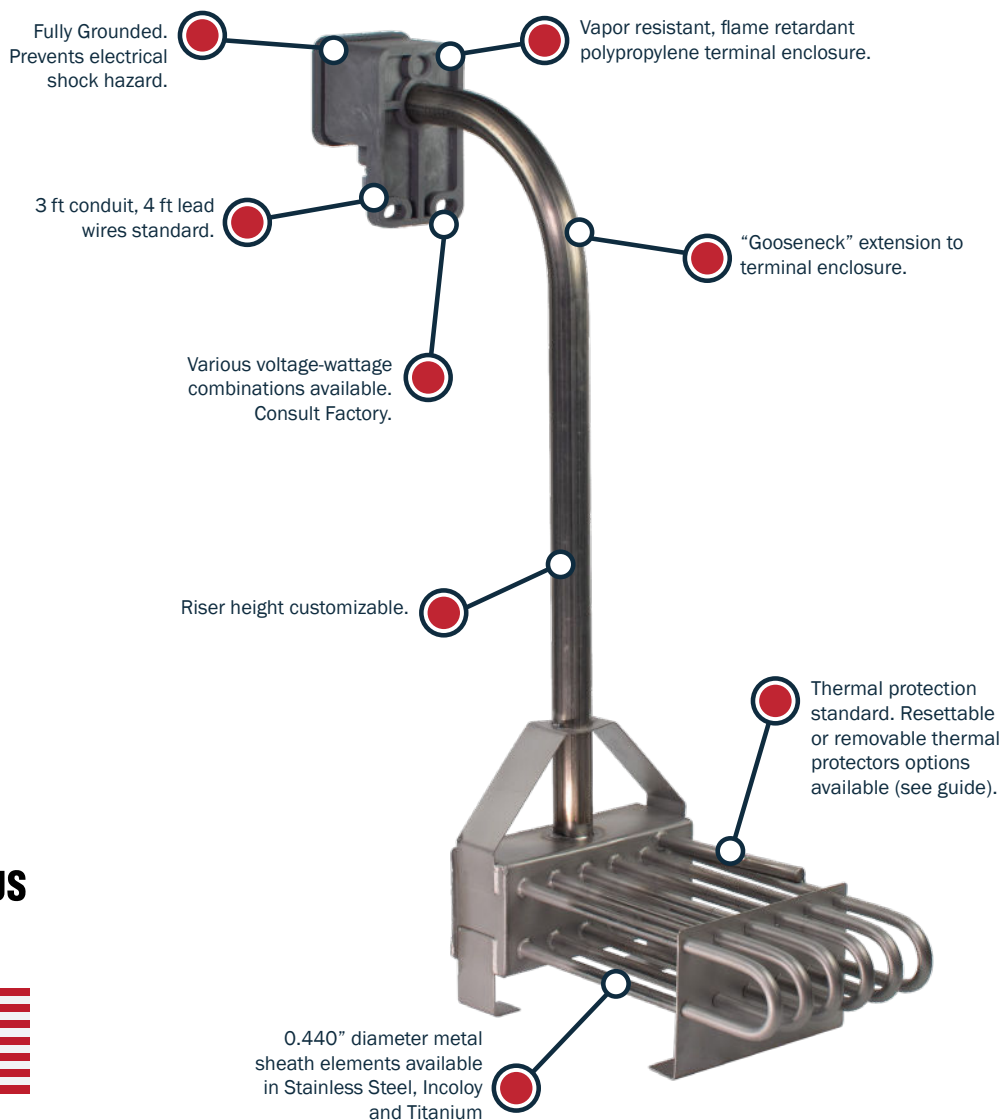


L SERIES: L-SHAPED HEATERS

MODEL L6

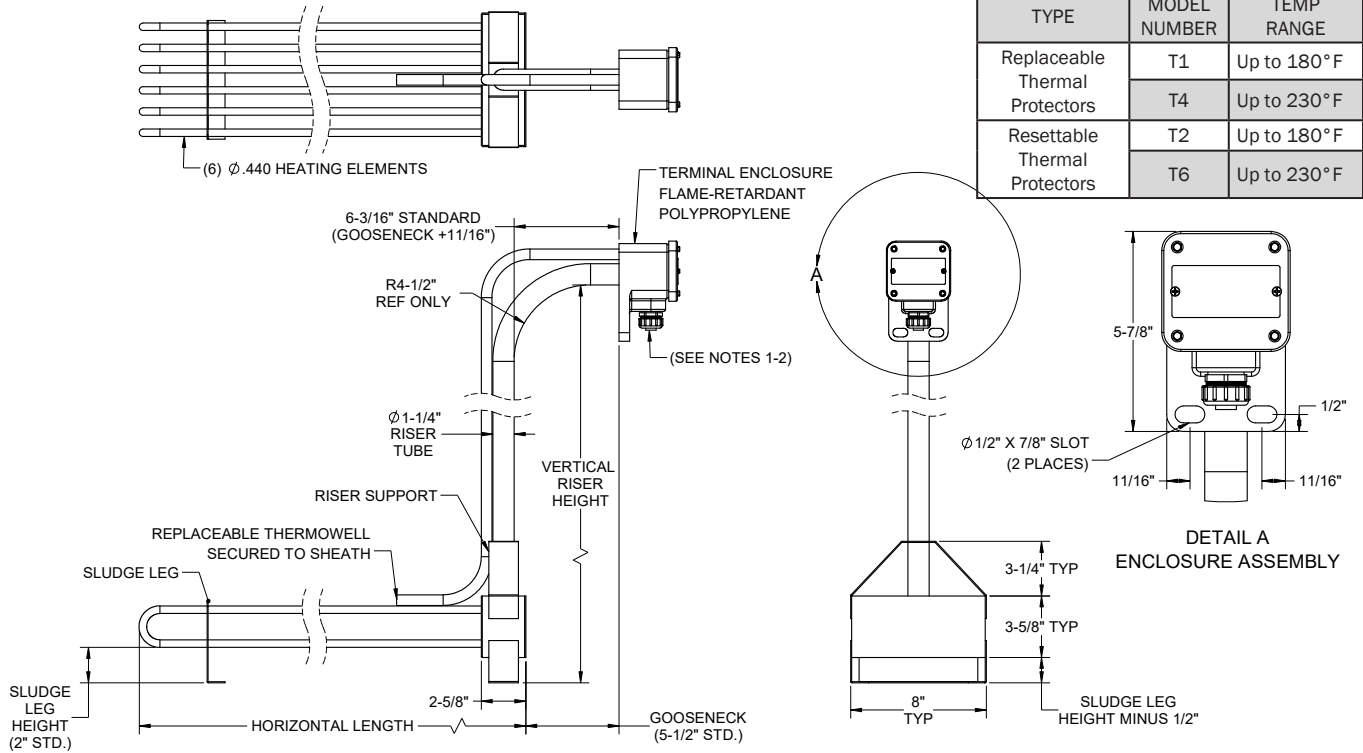
QUICK SPECIFICATIONS		CUSTOMIZABLE FEATURES
WATTAGES:	3,000 - 36,000 Watts	The following are configurable based on application requirements: <ul style="list-style-type: none"> • Wattage, Voltage, Phase • Immersion Length • Cold Length • Conduit Length • Element Sheath Material
VOLTAGES:	120 - 600 Volts	
PHASE:	1 & 3 Phase	
TEMP RANGE:		
UL / CSA Version : Suitable in Solutions up to 230 ° F		
Metal Head Version: Suitable in Solutions up to 300 ° F		
WATT DENSITY:	35 Watts / in² Standard	
For custom configurations or additional options, please consult factory.		



L6 METAL L-SHAPE HEATERS						
SPECIFICATIONS				304 SS	316 SS	TITANIUM
Volts (3-PH)	Watts	Bottom Length	Vertical Height*	Part Number	Part Number	Part Number
240	3,000	13"	37"	L6F3E13R37S2-T*	L6S3E13R37S2-T*	L6T3E13R37S2-T*
480				L6F3M13R37S2-T*	L6S3M13R37S2-T*	L6T3M13R37S2-T*
240	6,000	17"		L6F6E17R37S2-T*	L6S6E17R37S2-T*	L6T6E17R37S2-T*
480				L6F6M17R37S2-T*	L6S6M17R37S2-T*	L6T6M17R37S2-T*
240	9,000	22"		L6F9E22R37S2-T*	L6S9E22R37S2-T*	L6T9E22R37S2-T*
480				L6F9M22R37S2-T*	L6S9M22R37S2-T*	L6T9M22R37S2-T*
240	12,000	26"		L6F12E26R37S2-T*	L6S12E26R37S2-T*	L6T12E26R37S2-T*
480				L6F12M26R37S2-T*	L6S12M26R37S2-T*	L6T12M26R37S2-T*
240	15,000	31"		L6F15E31R37S2-T*	L6S15E31R37S2-T*	L6T15E31R37S2-T*
480				L6F15M31R37S2-T*	L6S15M31R37S2-T*	L6T15M31R37S2-T*
240	18,000	36"		L6F18E36R50S2-T*	L6S18E36R50S2-T*	L6T18E36R50S2-T*
480				L6F18M36R50S2-T*	L6S18M36R50S2-T*	L6T18M36R50S2-T*
480	21,000	40"	L6F21M40R50S2-T*	L6S21M40R50S2-T*	L6T21M40R50S2-T*	
480	24,000	44"	L6F24M44R50S2-T*	L6S24M44R50S2-T*	L6T24M44R50S2-T*	
480	27,000	50"	L6F27M50R50S2-T*	L6S27M50R50S2-T*	L6T27M50R50S2-T*	
480	30,000	55"	L6F30M55R50S2-T*	L6S30M55R50S2-T*	L6T30M55R50S2-T*	
480	36,000	64"	L6F36M64R50S2-T*	L6S36M64R50S2-T*	L6T36M64R50S2-T*	

*Thermal protector options and part numbers can be found in the table below.

REFERENCE DIMENSIONS



Thermal Protector Guide		
TYPE	MODEL NUMBER	TEMP RANGE
Replaceable Thermal Protectors	T1	Up to 180°F
	T4	Up to 230°F
Resettable Thermal Protectors	T2	Up to 180°F
	T6	Up to 230°F

ORDERING AND CONTACT INFO

FOR ORDERS, PLEASE CONTACT YOUR LOCAL METAL FINISHING EQUIPMENT SUPPLIER.
FOR MORE INFO ON OUR PRODUCTS SEE OUR WEBSITE AT WWW.HEATMAXHEATERS.COM