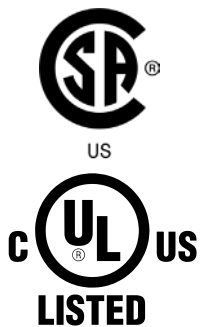
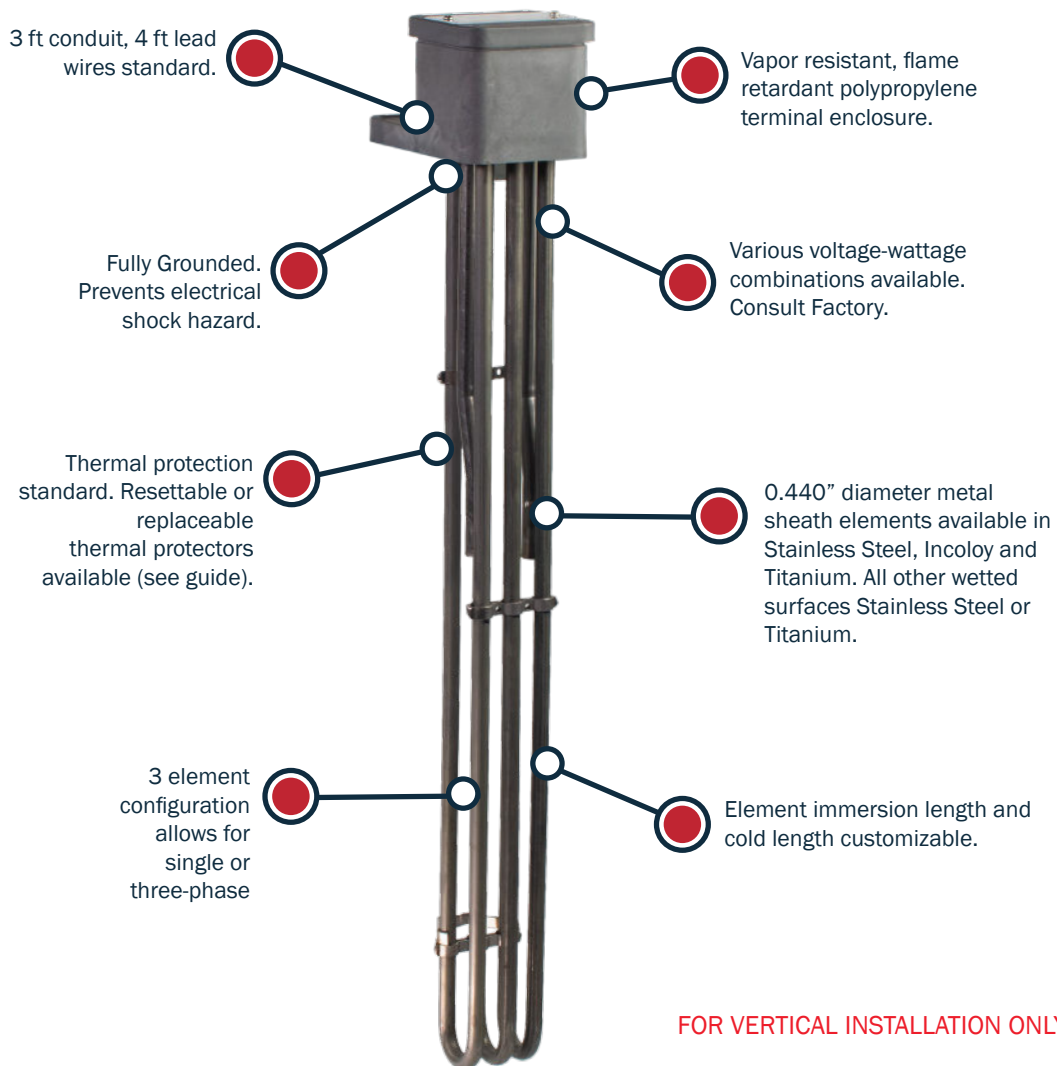


# SW SERIES: OVER-THE-SIDE HEATERS

## MODEL DSW3

QUICK SPECIFICATIONS		CUSTOMIZABLE FEATURES
<b>WATTAGES:</b>	500 - 6,000 Watts	The following are configurable based on application requirements: <ul style="list-style-type: none"> <li>• Wattage, Voltage, Phase</li> <li>• Immersion Length</li> <li>• Cold Length</li> <li>• Conduit Length</li> <li>• Element Sheath Material</li> </ul>
<b>VOLTAGES:</b>	120 - 600 Volts	
<b>PHASE:</b>	1 & 3 Phase	
<b>TEMP RANGE:</b>		
UL/CSA Listed Version: Suitable in Solutions up to <b>230 ° F</b>		
Metal Head Version: Suitable in Solutions up to <b>300 ° F</b>		
<b>WATT DENSITY:</b>	Derated to <b>18 Watts / in<sup>2</sup></b>	
For custom configurations or additional options, please consult factory.		



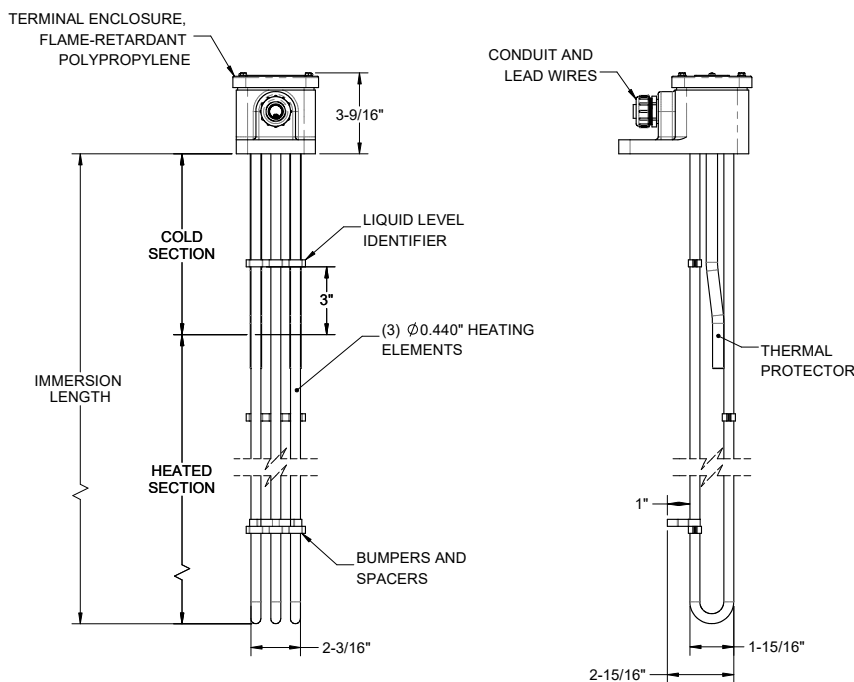
FOR VERTICAL INSTALLATION ONLY

DSW3 DERATED METAL OVER THE SIDE HEATERS							
SPECIFICATIONS					304 SS	316 SS	TITANIUM
Volts (1-PH)	Watts	Immersion Length	Heated Length	Cold Length	Part Number	Part Number	Part Number
120	500	11	5"	6"	DSW3-3F-05AX11-6-T*	DSW3-3S-05AX11-6-T*	DSW3-3T-05AX11-6-T*
240					DSW3-3F-05EX11-6-T*	DSW3-3S-05EX11-6-T*	DSW3-3T-05EX11-6-T*
240	1,000	17"	10"	7"	DSW3-3F-1EX17-7-T*	DSW3-3S-1EX17-7-T*	DSW3-3T-1EX17-7-T*
480					DSW3-3F-1MX17-7-T*	DSW3-3S-1MX17-7-T*	DSW3-3T-1MX17-7-T*
240	1,500	23"	16"	7"	DSW3-3F-1.5EX23-7-T*	DSW3-3S-1.5EX23-7-T*	DSW3-3T-1.5EX23-7-T*
480					DSW3-3F-1.5MX23-7-T*	DSW3-3S-1.5MX23-7-T*	DSW3-3T-1.5MX23-7-T*
240	2,000	29"	20"	9"	DSW3-3F-2EX29-9-T*	DSW3-3S-2EX29-9-T*	DSW3-3T-2EX29-9-T*
480					DSW3-3F-2MX29-9-T*	DSW3-3S-2MX29-9-T*	DSW3-3T-2MX29-9-T*
240	2,500	35"	25"	10"	DSW3-3F-2.5EX35-10-T*	DSW3-3S-2.5EX35-10-T*	DSW3-3T-2.5EX35-10-T*
480					DSW3-3F-2.5MX35-10-T*	DSW3-3S-2.5MX35-10-T*	DSW3-3T-2.5MX35-10-T*
240	3,000	40"	30"	10"	DSW3-3F-3EX40-10-T*	DSW3-3S-3EX40-10-T*	DSW3-3T-3EX40-10-T*
480					DSW3-3F-3MX40-10-T*	DSW3-3S-3MX40-10-T*	DSW3-3T-3MX40-10-T*
240	4,000	47"	37"	10"	DSW3-3F-4EX47-10-T*	DSW3-3S-4EX47-10-T*	DSW3-3T-4EX47-10-T*
480					DSW3-3F-4MX47-10-T*	DSW3-3S-4MX47-10-T*	DSW3-3T-4MX47-10-T*
240	4,500	54"	44"	10"	DSW3-3F-4.5EX54-10-T*	DSW3-3S-4.5EX54-10-T*	DSW3-3T-4.5EX54-10-T*
480					DSW3-3F-4.5MX54-10-T*	DSW3-3S-4.5MX54-10-T*	DSW3-3T-4.5MX54-10-T*
240	5,000	59"	49"	10"	DSW3-3F-5EX59-10-T*	DSW3-3S-5EX59-10-T*	DSW3-3T-5EX59-10-T*
480					DSW3-3F-5MX59-10-T*	DSW3-3S-5MX59-10-T*	DSW3-3T-5MX59-10-T*
240	6,000	68"	58"	10"	DSW3-3F-6EX68-10-T*	DSW3-3S-6EX68-10-T*	DSW3-3T-6EX68-10-T*
480					DSW3-3F-6MX68-10-T*	DSW3-3S-6MX68-10-T*	DSW3-3T-6MX68-10-T*

\*Thermal protector options and part numbers can be found in the tables below.

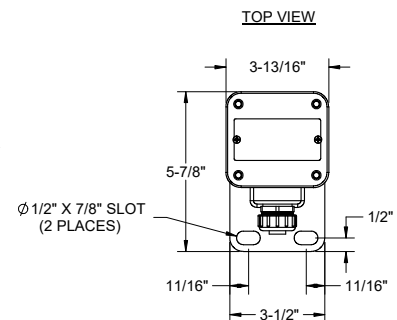
Derated to 18 Watts per Square Inch Standard.

## REFERENCE DIMENSIONS



Thermal Protector Guide		
TYPE	MODEL NUMBER	TEMP RANGE
Replaceable Thermal Protectors	T1	Up to 180 °F
	T4	Up to 230 °F
	T5*	Up to 300 °F
Resettable Thermal Protectors	T2	Up to 180 °F
	T6	Up to 230 °F
	T7*	Up to 300 °F

\*Not UL/CSA Listed



## ORDERING AND CONTACT INFO

FOR ORDERS, PLEASE CONTACT YOUR LOCAL METAL FINISHING EQUIPMENT SUPPLIER.  
FOR MORE INFO ON OUR PRODUCTS SEE OUR WEBSITE AT [WWW.HEATMAXHEATERS.COM](http://WWW.HEATMAXHEATERS.COM)