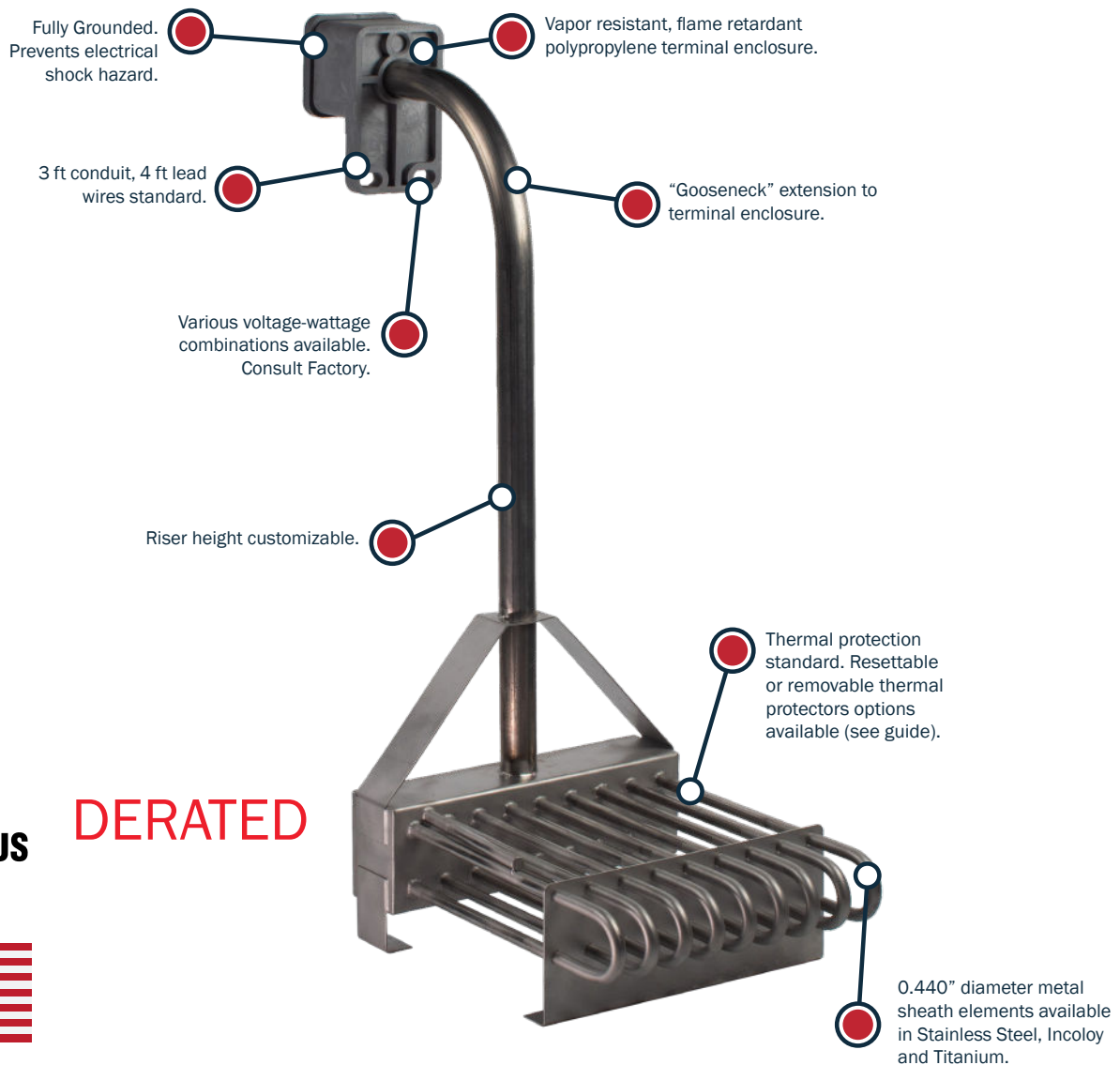


# L SERIES: L-SHAPED HEATERS

## MODEL DL9

QUICK SPECIFICATIONS		CUSTOMIZABLE FEATURES
<b>WATTAGES:</b>	5,000 - 36,000 Watts	The following are configurable based on application requirements: <ul style="list-style-type: none"> <li>• Wattage, Voltage, Phase</li> <li>• Immersion Length</li> <li>• Cold Length</li> <li>• Conduit Length</li> <li>• Element Sheath Material</li> </ul>
<b>VOLTAGES:</b>	120 - 600 Volts	
<b>PHASE:</b>	1 & 3 Phase	
<b>TEMP RANGE:</b>		
UL / CSA Version : Suitable in Solutions up to <b>230 ° F</b>		
Metal Head Version: Suitable in Solutions up to <b>300 ° F</b>		
<b>WATT DENSITY:</b>	<b>Derated to 18 Watts / in<sup>2</sup></b>	
For custom configurations or additional options, please consult factory.		



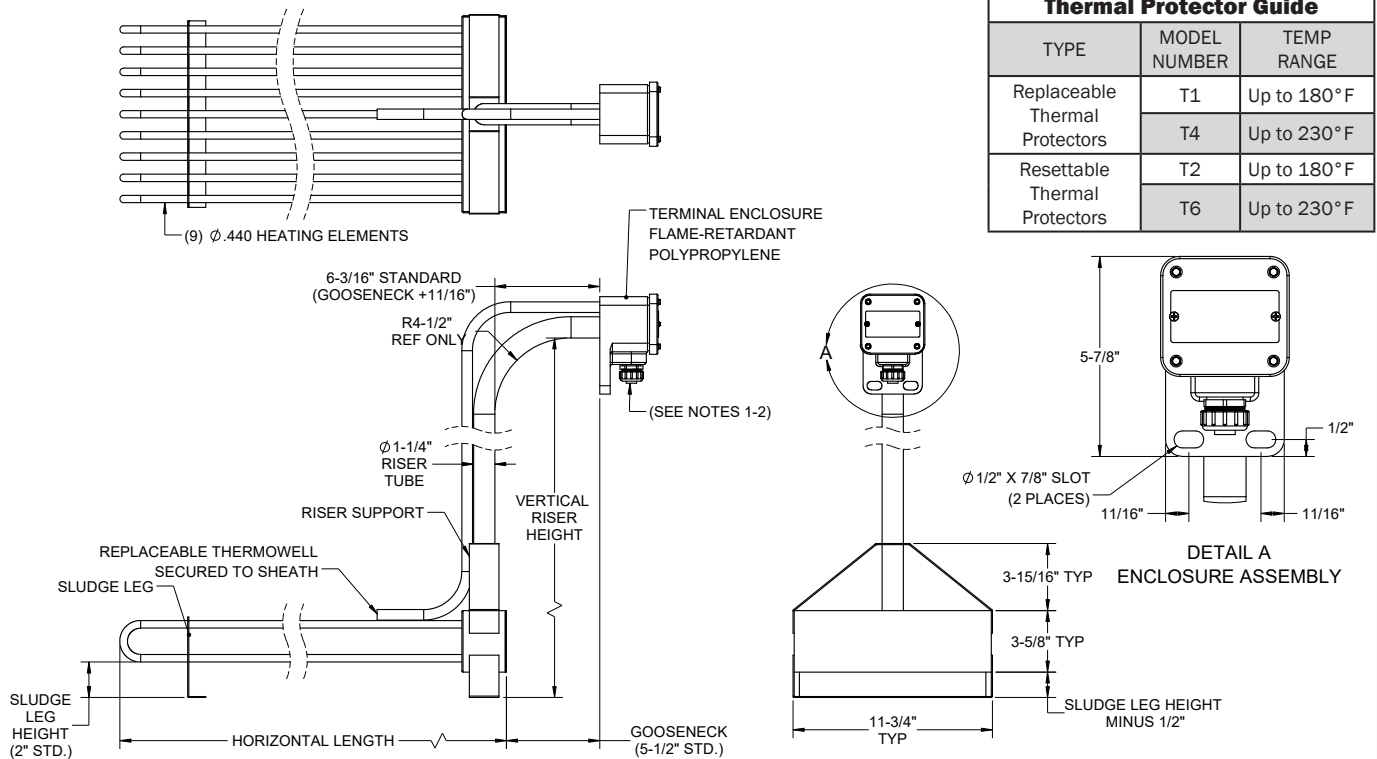
**DERATED**



DL9 DERATED METAL L-SHAPE HEATERS						
SPECIFICATIONS				304 SS	316 SS	TITANIUM
Volts (3-PH)	Watts	Bottom Length	Vertical Height	Part Number	Part Number	Part Number
240	3,000	11"	37"	DL9F3E11R37S2-T*	DL9S3E11R37S2-T*	DL9T3E11R37S2-T*
480				DL9F3M11R37S2-T*	DL9S3M11R37S2-T*	DL9T3M11R37S2-T*
240	4,500	15"		DL9F4.5E15R37S2-T*	DL9S4.5E15R37S2-T*	DL9T4.5E15R37S2-T*
480				DL9F4.5M15R37S2-T*	DL9S4.5M15R37S2-T*	DL9T4.5M15R37S2-T*
240	6,000	18"		DL9F6E18R37S2-T*	DL9S6E18R37S2-T*	DL9T6E18R37S2-T*
480				DL9F6M18R37S2-T*	DL9S6M18R37S2-T*	DL9T6M18R37S2-T*
240	7,500	22"		DL9F7.5E22R37S2-T*	DL9S7.5E22R37S2-T*	DL9T7.5E22R37S2-T*
480				DL9F7.5M22R37S2-T*	DL9S7.5M22R37S2-T*	DL9T7.5M22R37S2-T*
240	9,000	27"		DL9F8.5E27R50S2-T*	DL9S8.5E27R50S2-T*	DL9T8.5E27R50S2-T*
480				DL9F8.5M27R50S2-T*	DL9S8.5M27R50S2-T*	DL9T8.5M27R50S2-T*
240	12,000	36"		DL9F12E36R50S2-T*	DL9S12E36R50S2-T*	DL9T12E36R50S2-T*
480				DL9F12M36R50S2-T*	DL9S12M36R50S2-T*	DL9T12M36R50S2-T*
240	13,500	40"	DL9F13.5E40R50S2-T*	DL9S13.5E40R50S2-T*	DL9T13.5E40R50S2-T*	
480			DL9F13.5M40R50S2-T*	DL9S13.5M40R50S2-T*	DL9T13.5M40R50S2-T*	
240	15,000	44"	DL9F15E44R50S2-T*	DL9S15E44R50S2-T*	DL9T15E44R50S2-T*	
480			DL9F15M44R50S2-T*	DL9S15M44R50S2-T*	DL9T15M44R50S2-T*	
240	18,000	55"	DL9F18E55R50S2-T*	DL9S18E55R50S2-T*	DL9T18E55R50S2-T*	
480			DL9F18M55R50S2-T*	DL9S18M55R50S2-T*	DL9T18M55R50S2-T*	

\*Thermal protector options and part numbers can be found in the table below.  
Derated to 18 Watts per Square Inch Standard.

## REFERENCE DIMENSIONS



Thermal Protector Guide		
TYPE	MODEL NUMBER	TEMP RANGE
Replaceable Thermal Protectors	T1	Up to 180° F
	T4	Up to 230° F
Resettable Thermal Protectors	T2	Up to 180° F
	T6	Up to 230° F

## ORDERING AND CONTACT INFO

FOR ORDERS, PLEASE CONTACT YOUR LOCAL METAL FINISHING EQUIPMENT SUPPLIER.  
FOR MORE INFO ON OUR PRODUCTS SEE OUR WEBSITE AT [WWW.HEATMAXHEATERS.COM](http://WWW.HEATMAXHEATERS.COM)