

LIQUID LEVEL CONTROLS AND PROBES

LLC-R

Heatmax LLC-R provides automated heater shut-off in the event of a low liquid level situation. Critical protection against damage associated with low-level conditions.

When used with a TCD Control and remote mount probed, the LLC-R detects a small current between probes and deactivates the heater when the probes are no longer submerged.

QUICK SPECIFICATIONS

- Relay rating: 8-Amps at 120 to 250 volts.
- Single Pole, Double Throw.
- Housed in a gasketed, Nema 4X enclosure.
- Minimal AC sensing has no effect on plating processes.
- NOTE: Does not function in non-conductive solutions. Do not use in flammable solutions or in the presence of flammable gasses.

CUSTOMIZABLE FEATURES

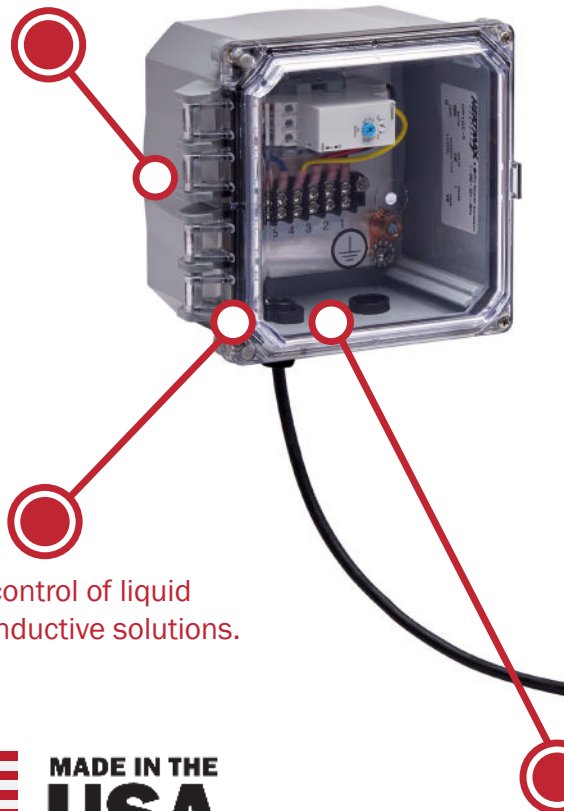
Sensor Probes for LLC-R sold separately and available in various lengths and alloys including:

- 316 Stainless Steel
- Titanium
- Graphite

Sensor probe length customizable up to 48. Longer probe cords also available.

Titanium and Stainless Steel probes field trimmable

Adds protection against low solution levels and the damage that can result.



Automated control of liquid levels for conductive solutions.

LIQUID LEVEL CONTROL	
Part Number	Description
LLC-R	SINGLE LEVEL CONTROL, 120/240V

Other lengths available, consult factory.

Polycarbonate enclosure NEMA 4X 6" x 6" x 4" clearance.



PROBES

REMOTE PROBE ASSEMBLIES	
Part Number	Description
PGR-6	GRAPHITE, 6" DUAL PROBES
PGR-12	GRAPHITE, 12" DUAL PROBES
PGR-18	GRAPHITE, 18" DUAL PROBES
PTR-6	TITANIUM, 6" DUAL PROBES
PTR-12	TITANIUM, 12" DUAL PROBES
PTR-18	TITANIUM, 18" DUAL PROBES
PSR-6	STAINLESS, 6" DUAL PROBES
PSR-12	STAINLESS, 12" DUAL PROBES
PSR-18	STAINLESS, 18" DUAL PROBES
PSR-24	STAINLESS, 24" DUAL PROBES

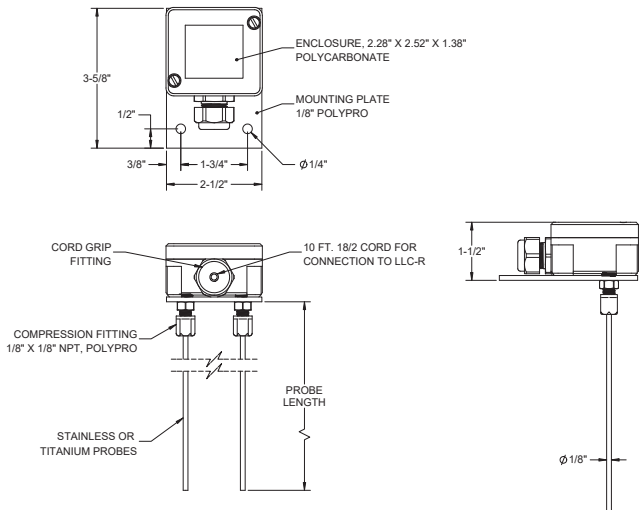


Double probe units provide single point controls.

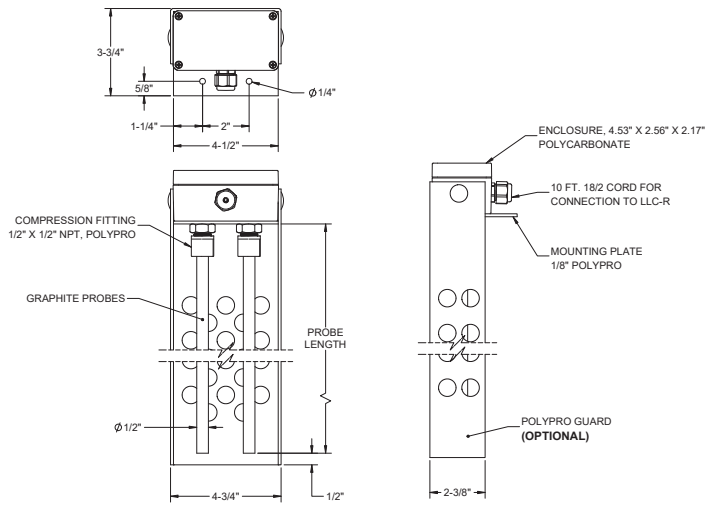
Stainless Steel and Titanium probes are field trimmable. Graphite probes are not. Other lengths available, consult factory.

REFERENCE DIMENSIONS

PTR AND PSR REMOTE MOUNTED PROBE ASSEMBLY



PGR REMOTE MOUNTED PROBE ASSEMBLY



ORDERING AND CONTACT INFO

FOR ORDERS, PLEASE CONTACT YOUR LOCAL METAL FINISHING EQUIPMENT SUPPLIER.
FOR MORE INFO ON OUR PRODUCTS SEE OUR WEBSITE AT WWW.HEATMAXHEATERS.COM