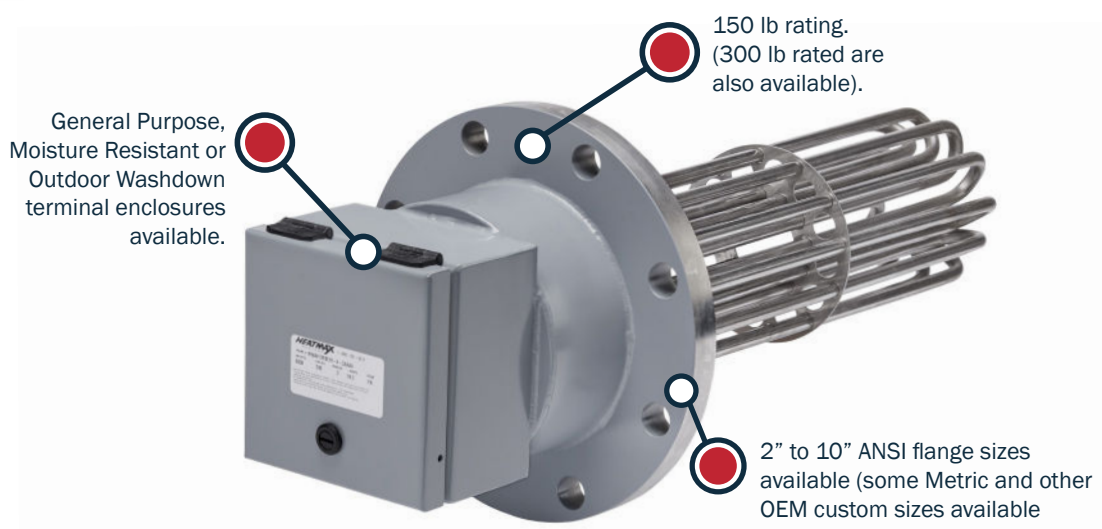
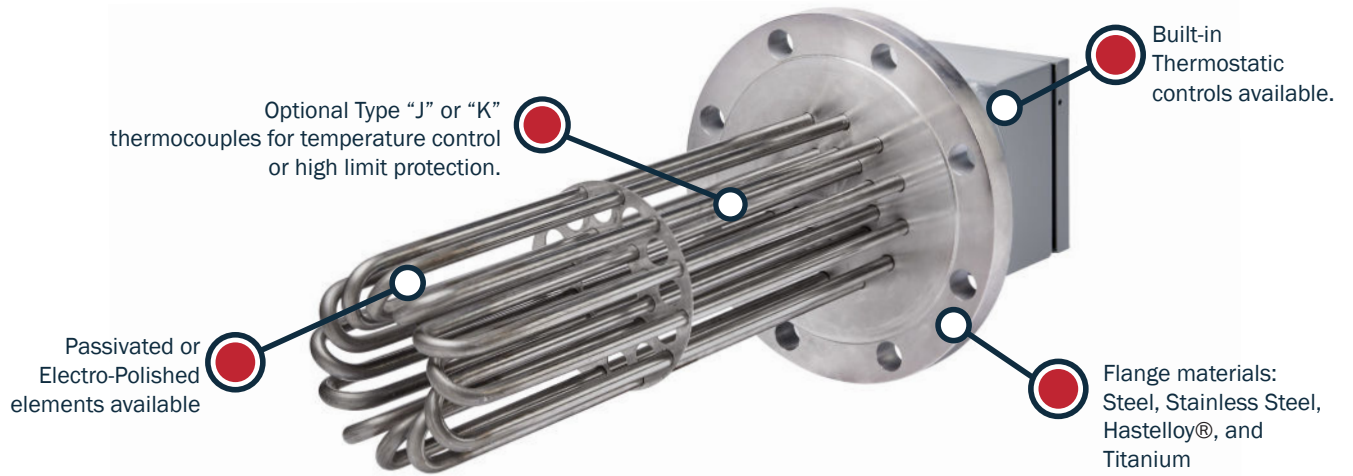


F-SERIES: FLANGED HEATERS

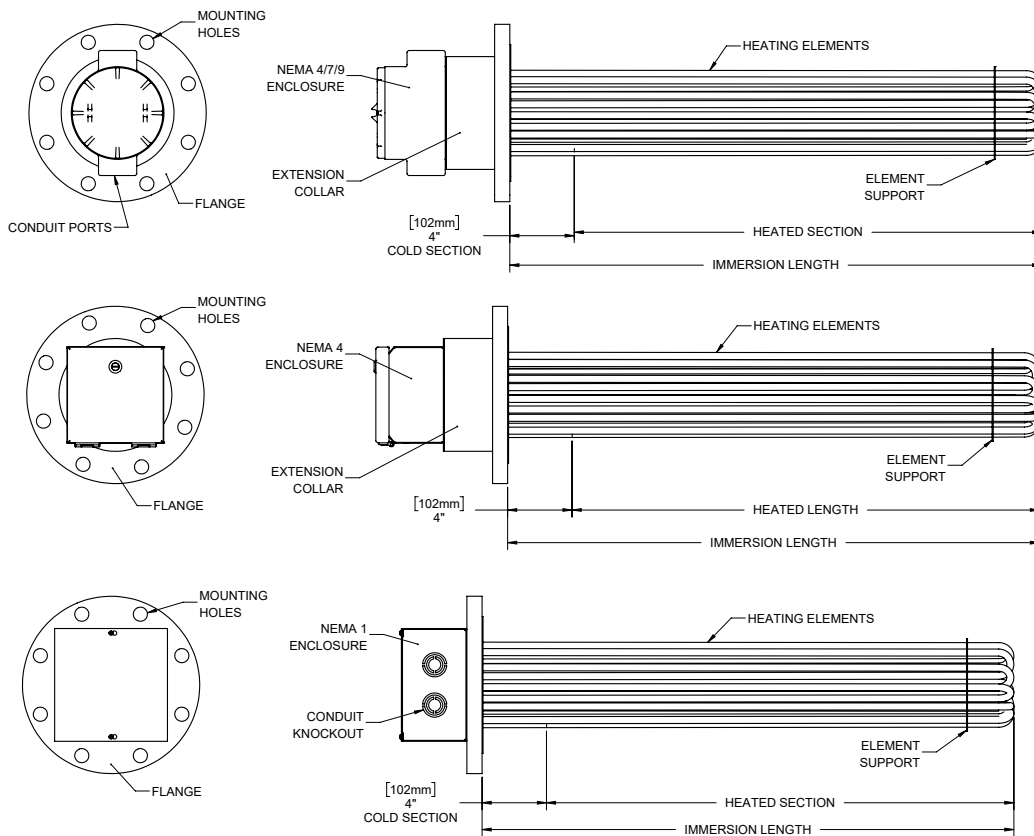
RUGGED AND VERSATILE, OUR F-SERIES FLANGED HEATERS OFFER A WIDE RANGE OF CUSTOMIZABLE OPTIONS FOR RELIABLE INDUSTRIAL HEATING.

QUICK SPECIFICATIONS		CUSTOMIZABLE FEATURES
WATTAGES:	500 - 200,000 Watts	The following are configurable based on application requirements: <ul style="list-style-type: none"> • Wattage and Watt Density • Voltage • Immersion and Cold Lengths • Element Number and Sheath Material • Enclosure Ratings • Flange Alloy, Pressure Rating • Some Metric Flange Sizes Available
VOLTAGES:	120 - 600 Volts	
PHASE:	1 & 3 Phase	
FLANGE SIZES:	• ANSI Sizes: 2", 3", 4", 5", 6", 8", and 10"	
ENCLOSURE RATINGS:	Type 1, 4, and 4X Enclosures Available	
ELEMENT SHEATH MATERIAL:	304 & 316 SS, Incoloy 800 & 840, Copper and Titanium, Monel, Inconel ®, and Hastelloy ®	
UL / CSA recognized configurations available Contact us to confirm coverage for your specifications.		



FLANGE REFERENCE DIMENSIONS : ANSI 150 LB.						
FLANGE SIZE *	FLANGE OD	FLANGE THICKNESS	HOLE #	HOLE DIA	COLD ZONE (STD.)	ELEMENT NUMBER
2"	6"	.75"	4	.75"	4"	3 (standard)
3"	7.5"	.94"	4	3/4"	4"	3 (standard) 6 (max)
4"	9"	.94"	8	3/4"	4"	6 (standard) 6 (max)
5"	10"	.94"	8	7/8"	4"	6 (standard) 9 (max)
6"	11"	1"	8	7/8"	4"	12 (standard) 15 (max)
8"	13.5"	1.125"	8	7/8"	6"	18 (standard) 24 (max)
10"	16"	1.187"	12	1"	6"	27 (standard) 36 (max)

FLANGE REFERENCE AND STYLES



ORDERING AND CONTACT INFO

FOR ORDERS, PLEASE CONTACT YOUR LOCAL EQUIPMENT SUPPLIER, OR US AT: sales@heatmaxheaters.com.
FOR MORE INFO ON OUR PRODUCTS, SEE OUR WEBSITE AT WWW.HEATMAXHEATERS.COM