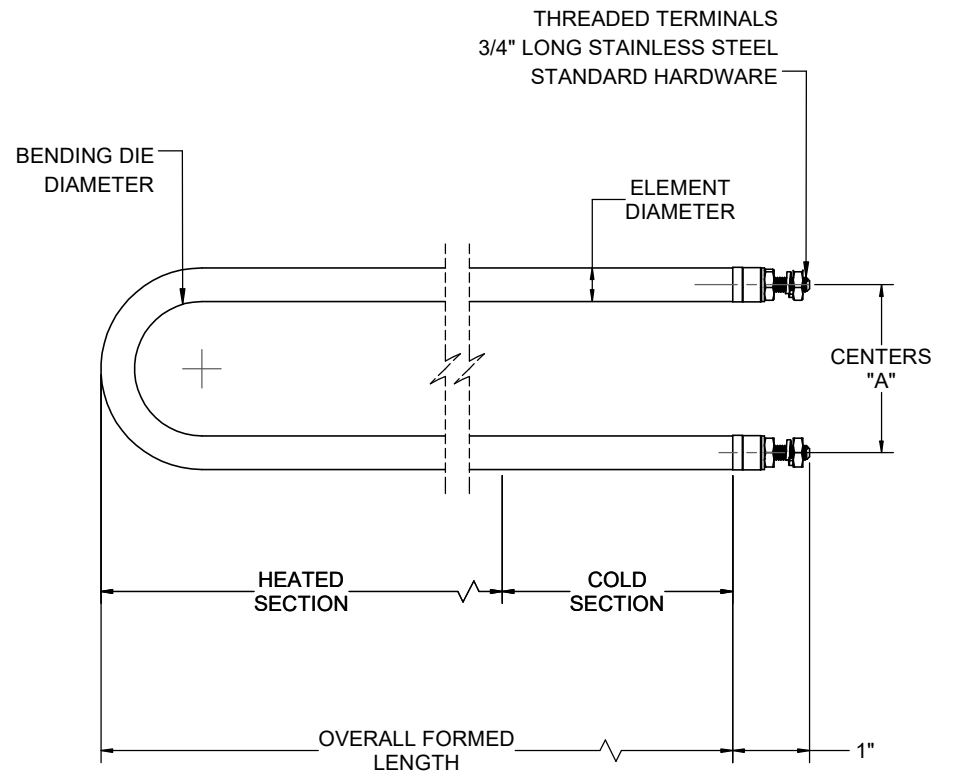


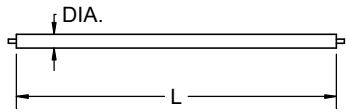
STRAIGHT ELEMENT



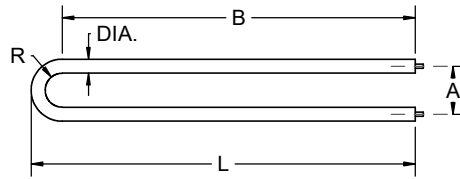
U-SHAPED ELEMENT

**TUBULAR HEATING ELEMENT
STANDARD STRAIGHT AND U-SHAPE DESIGNS**

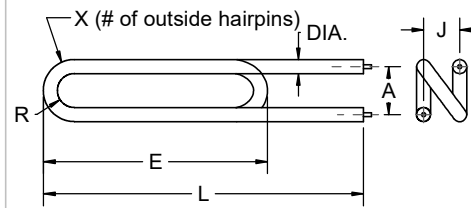
EL



EU



**FIGURE A
RIGHT-HAND FORMATION**



**FIGURE B
LEFT-HAND FORMATION**

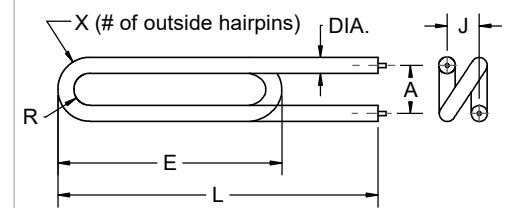


FIGURE C

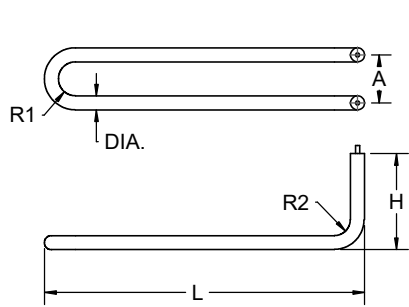


FIGURE D

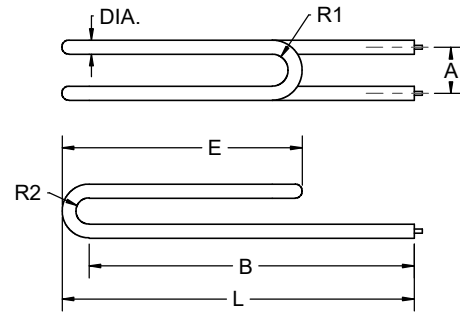


FIGURE E

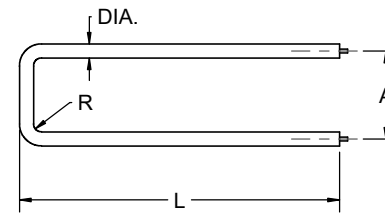


FIGURE F

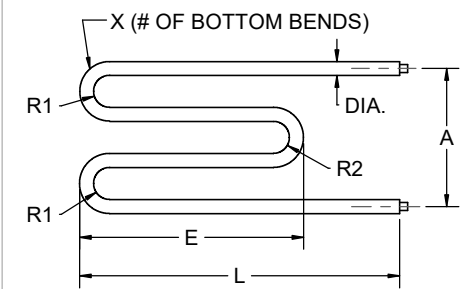


FIGURE G

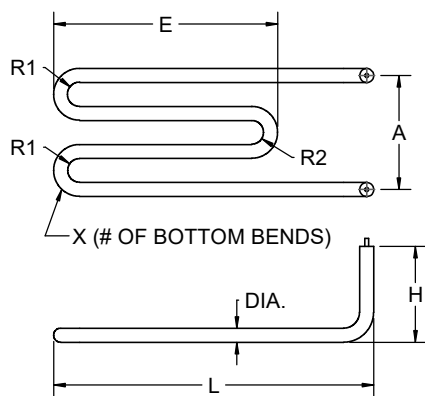


FIGURE H

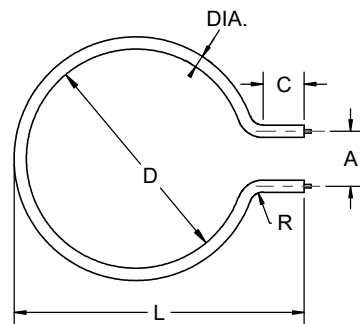


FIGURE J

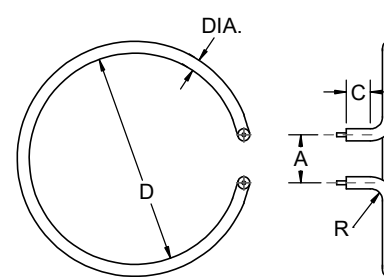
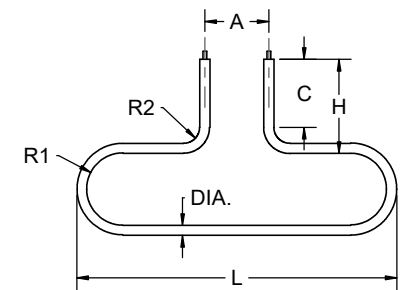


FIGURE K



TUBULAR HEATING ELEMENT STANDARD BEND FORMATIONS

FIGURE L

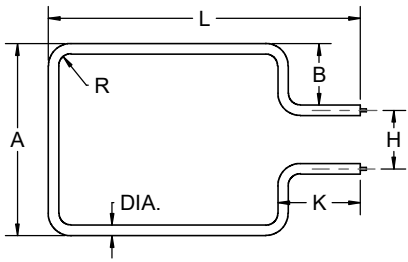


FIGURE M

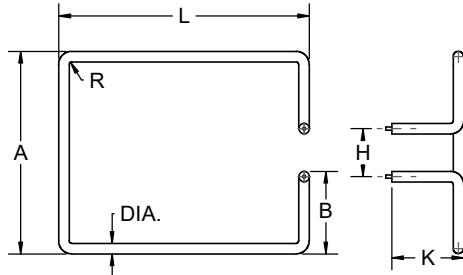


FIGURE N

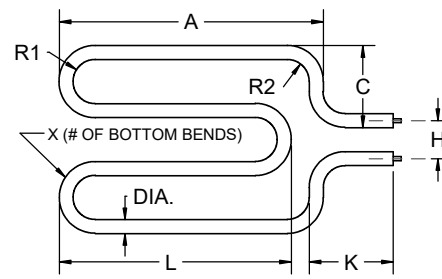


FIGURE P

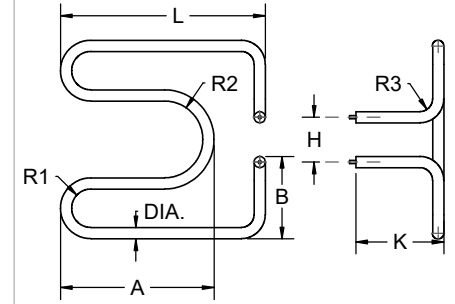


FIGURE Q

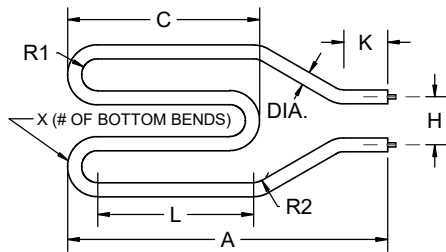


FIGURE R

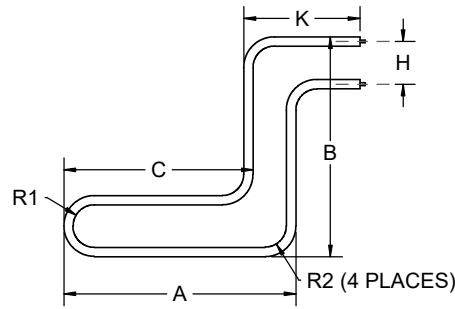


FIGURE S

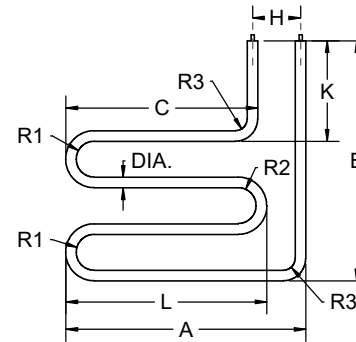


FIGURE T

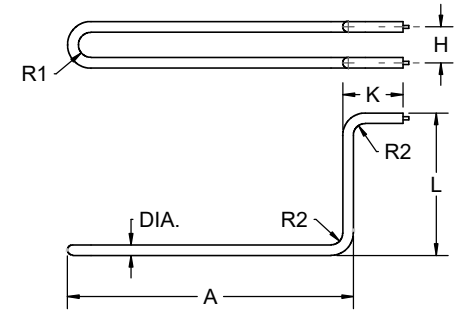


FIGURE U

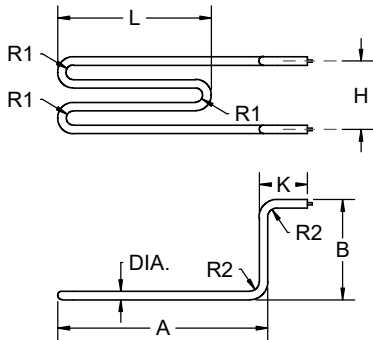
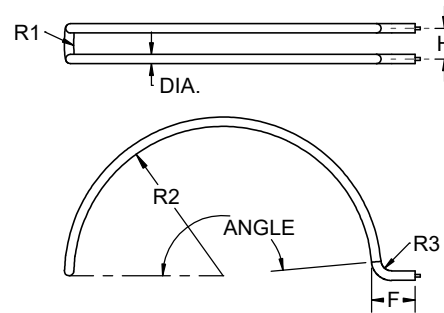


FIGURE V



TUBULAR HEATING ELEMENT CUSTOM BEND FORMATION EXAMPLES